

Construction Site Equipment

PERI system components which simplify forming



Stopend Systems
Wall Clamps
PERI Bio Clean
Drying Locker
Trestle P 80
Additional Accessories

Edition 01 | 2012

PERI GmbH
Formwork Scaffolding Engineering

P.O. Box 1264
89259 Weissenhorn
Germany

Tel +49 (0)73 09.9 50-0

Fax +49 (0)73 09.9 51-0

info@peri.com

www.peri.com

Important notes:

Without exception, all relevant building regulations must be observed in those countries where our products are used.

The illustrations in this brochure are photographs of real site situations. Safety or formwork anchor details are therefore not to be taken as a definitive guide to the way the equipment is to be used.

Safety precautions and allowable loads are to be strictly observed at all times. Any changes and deviations require separate official static verification.

PERI reserves the right to make technical changes.

Content

PERI construction site equipment

- 2 Stopend systems for base slabs and slabs
- 4 Wall Clamps
- 5 PERI Bio Clean
- 6 Drying Locker Klima TS 2000
- 7 Trestle P 80
- 7 HM Concrete Scraper
- 7 Tie Rod Accessories
- 8 Components
- 16 PERI International

PERI construction site equipment

Stopend systems for base slabs and slabs

Stopend Trestle adjustable

For base slabs up to 60 cm thick.

- Anchoring on the ground is carried out using reusable pegs.
- Setting of stopends on slabs is also possible with the stopend trestle.



Slab Stopend Bar 105

For vertical slab formwork.

- Slab thicknesses up to 50 cm.
- The adjustable spindle allows exact adjustments to be made on the formwork assembly up to max. 14 cm as well as adjusting the formwork itself.
- HANDSET Handrail Post HSGP for safe lateral protection.



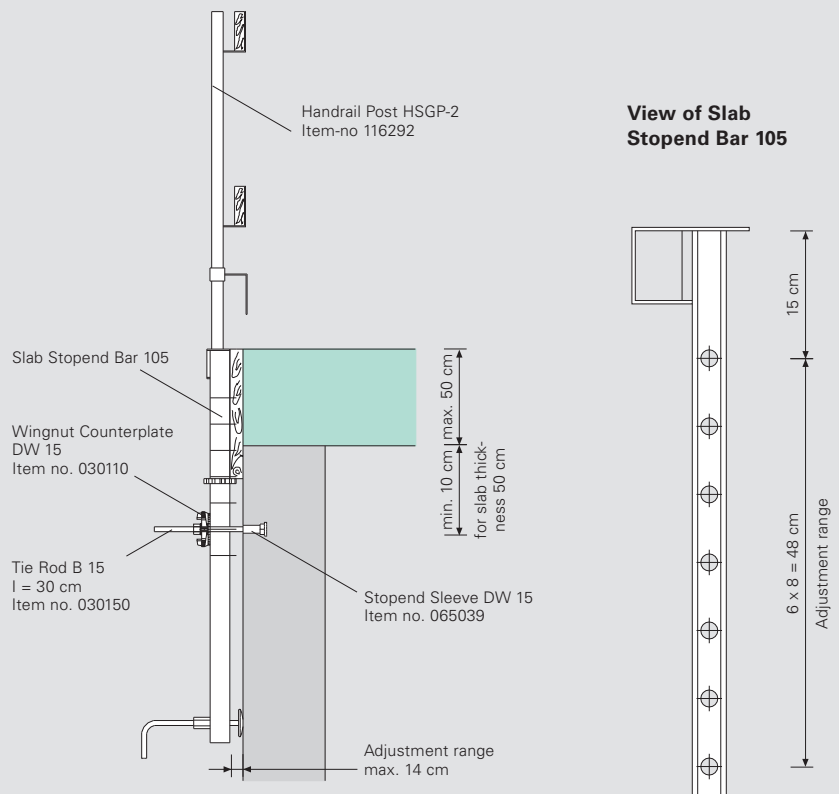
The stopend trestle is anchored using recoverable pegs.

The Handrail Post HSGP provides safe lateral protection.

Permissible Spacings [m] depending on the Slab Thickness.

Slab Thickness [m]	0.20	0.30	0.40	0.50
Allowing for load on the handrail post.	1.45	1.10	0.90	0.80
Without taking into consideration the load on the handrail post.	3.00	1.60	1.20	1.00

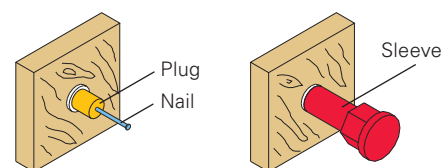
The maximum deflection at the top has been limited to 3 mm. The maximum anchor tension force is 6.5 kN.



Stopend Sleeve DW 15

The same anchoring component is used for both systems:

1. Nail plug to the formlining.
2. Slide on sleeve - ready.



Formwork Bracket-2

For slab cantilevers and vertical slab stopends.

- Quick Jack Nut for tightening.
- Shear force carried by conical-shaped wall joists.
- Striking securing device.
- HANDSET Handrail Post HSGP for safe lateral protection.

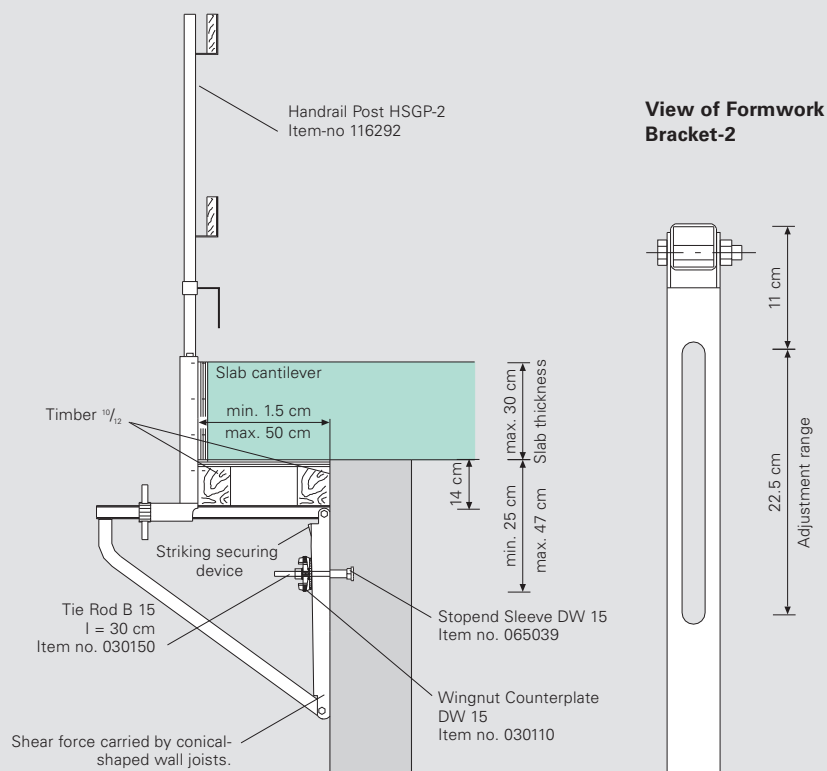


The Formwork Bracket-2 allows cantilevers up to 50 cm.

Permissible Spacings [m] depending on the Slab Thickness and Cantilever.

Slab Thickness [m]	Cantilever [m]			
	0.20	0.30	0.40	0.50
0.20	2.50	2.50	1.85	1.60
0.30	1.00	1.00	1.00	1.00

The above-mentioned values refer to the load capacity of the formwork bracket. Depending on the formlining used, smaller spacings may be required. The maximum anchor tension force is 6.5 kN and the shear force is 5.3 kN.



PERI construction site equipment

Wall Clamps, Concrete Release Agent

Wall Clamps 55, 75 and 105.

For forming strip foundations, small beams etc.

The square thread on the clamp is self-cleaning and has been designed to withstand tough site conditions. The quick jack nut provides friction-locked fine adjustment without the need of hammering in wedges.

- No wearing out of wedges.
- Robust design, meets tough site requirements.
- The Wall Clamp 105 can be additionally supplemented with an extension.



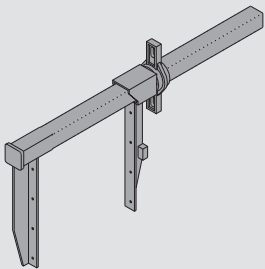
Wall Clamp 75 for fixing pre-cast parapet sections.



Foundations up to 90 cm wide are formed using the wall clamp 105.

Wall Clamp 55

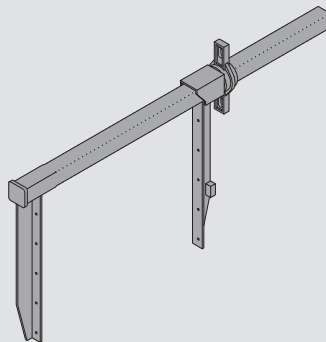
max. clamping width 55 cm



For utilizing a max. concreting height of 30 cm, we recommend a spacing of 1.20 m for foundations etc.

Wall Clamp 75

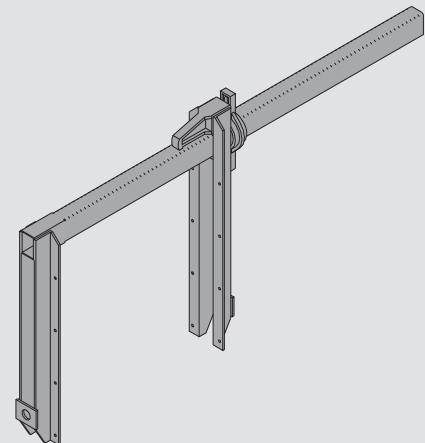
max. clamping width 75 cm



For utilizing a max. concreting height of 40 cm, we recommend a spacing of 1.00 m for foundations etc.

Wall Clamp 105

max. clamping width 105 cm



For utilizing a max. concreting height of 50 cm, we recommend a spacing of 0.80 m for foundations etc.

PERI Bio Clean

Product description

PERI Bio Clean is a fluid, chemical-physical concrete release agent and is manufactured based on on ultra-pure, biologically-degradable components.

Areas of application

- For absorbant and non-absorbant formlining sheets such as boards, coated large-area formlining, steel etc.
- Creeping oil properties regenerate resinous formwork surfaces.
- Protects timber parts against decay, mould etc.
- Prevents construction plant and machinery against rusting.
- Ensures prop and spindle threads run smoothly.

Application

- Working temperature -20°C to +50°C
- One litre is required for 50 – 90 m² of formwork (depending on the absorability)
- Important:
 - Spread thinly and evenly.**
- Apply using only PERI high-pressure sprayer and wide-angled nozzle. Always work with high pressure in order to ensure even distribution of the release agent.



Safety instructions:

See PERI Bio Clean safety data sheet. In principle: when complying with the recommended working method and safety precautions, PERI Bio Clean does not present any significant health risks.

PERI Bio Clean

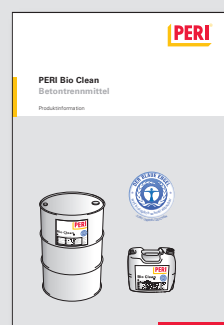
Available in 208 litre drum and 20 litre cannister.

More release agent

PERI Clean
PERI Plasto Clean

Release agent pressure sprayer

Volume 5 l
Item-no 104890



PERI construction site equipment

Drying Locker, Trestle P 80, Additional Accessories

Drying Locker Klima TS 2000

The PERI drying locker ensures healthy working conditions on site.

Due to the fast drying times, working clothes can be changed several times a day.

By setting the clock timer to the required drying time, the fan motor is activated (continuous pre-adjustment up to 4 hours possible).

The temperature can be continuously controlled.

Further information is available in the Installation Manual/Instructions for Use.

Power supply

The PERI Drying Locker Klima TS 2000 requires single-phase alternating current (AC), 230 V 50 – 60 Hz.
Heating power 1500 W

Dimensions and weight

Height: 1940 mm
Depth: 630 mm
Width: 595 mm
Weight: approx. 56 kg



Clock timer

Up to 4 h pre-adjustment possible

Sturdy clothes hooks

For approx. 3.5 kg clothing

Air outlet

Removes the damp drying air

High quality manufacture

Electrolytically galvanized, powder-coated

Heating power

Continuous adjustment setting up to 1500 W

Heat-insulated locker door

Can be mounted to be opened to the left or right

Trestle P 80

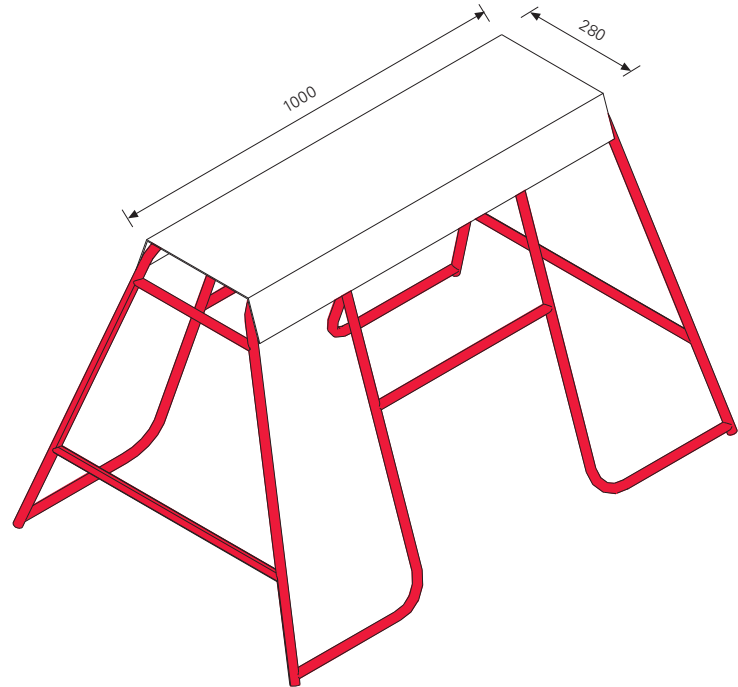
Considered as a sensible piece of on-site equipment, it makes work easier in those cases where body size is no longer sufficient.

With a total height of 80 cm, heights of up to 2.80 m can easily be reached.

The Trestle P 80 can be used individually or in combination with timbers and scaffold boards to form a large-area scaffold.

The chequered aluminium sheeting guarantees secure footing also in wet conditions.

Due to its low weight of only 18 kg, the Trestle P 80 can easily be moved by hand.



HM Concrete Scraper

For removing concrete burrs on slabs and walls, removal of burrs from pre-cast concrete elements, for fast and careful cleaning of formlining sheets and formwork timbers.

The ash wood shaft with spade-type handle allows fatigue-free working. The HM Concrete Scraper is available in three widths: 54, 102 and 170 mm. Replacement butt straps: see Programme Overview



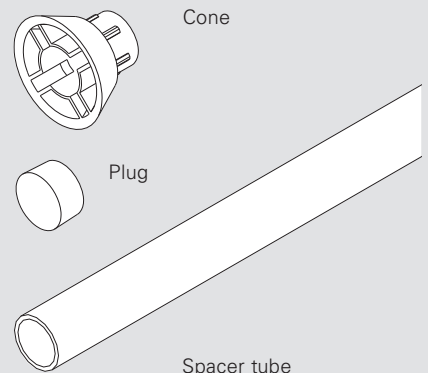
Tie accessories

Spacer tubes made of plastic or fibre cement with required cones and plugs.

PERI spacers, cones and plugs are available in different designs for all wall thicknesses (see product range). For the fibre concrete tube 22, a verification certificate regarding water impermeability is available which was is-

sued by the Materials Testing Institute of the German State of North Rhine-Westphalia: No. 211006185 on 05.02.1986.

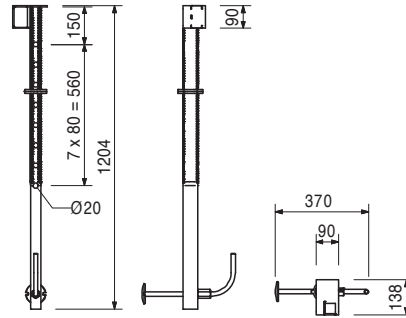
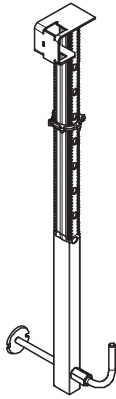
For the subsequent cementation of the conical hole, the rough plastic spacer has also been approved for use in fire walls.



Item no.	Weight kg
065063	6,600

Slab Stopend Bar 105
For forming slab edges up to 50 cm thick.

Note
Permissible load: see PERI Design Tables.



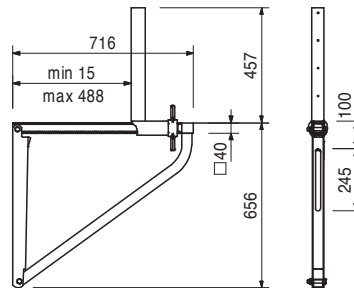
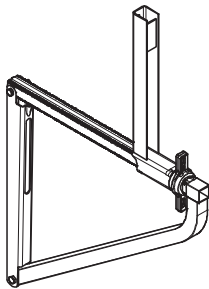
Accessories
Guardrail Post HSGP-2

116292	4,730
--------	-------

Formwork Bracket-2
For forming small cantilevers up to 50 cm and vertical stopends up to 30 cm.

Note
Permissible load: see PERI Design Tables.

065062	9,810
--------	-------



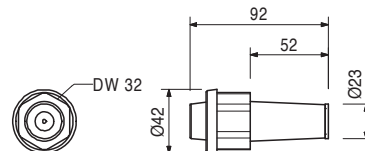
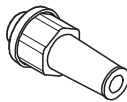
Accessories
Guardrail Post HSGP-2

116292	4,730
--------	-------

Stopend Sleeve DW 15
Anchoring for PERI stopend systems.
With nail plugs.

Note
Permissible load: see PERI Design Tables.

065039	0,075
--------	-------



Accessories
Plug for Stopend Sleeve DW 15

065060	0,001
--------	-------

Plug for Stopend Sleeve DW 15

065060	0,001
--------	-------

Item no.	Gew. kg
030740	1,550
030050	0,000
030150	0,420

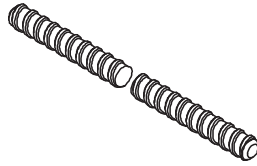
Tie Rod B 15 special length Cutting
Cutting Cost Tie Rod DW 15/ B 15
Tie Rod B 15 l = 0,30 m

Note

Weldable! Observe construction approval!

Technical Data

Permissible load 85 kN.



030110	0,799
--------	-------

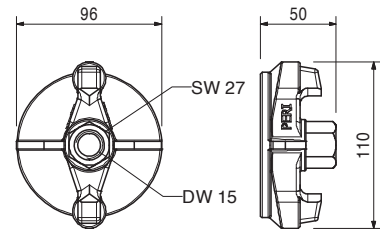
Wingnut Counterplate DW 15, galv.
 For anchoring with Tie Rod DW 15 and B 15.

Note

Spanner size SW 27.

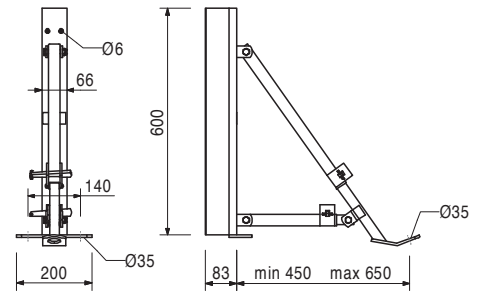
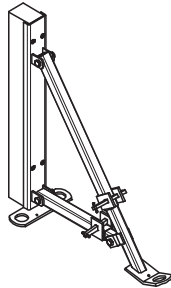
Technical Data

Permissible load 90 kN.



065040	6,820
--------	-------

Stopend Trestle, adjustable
 For forming base slabs up to 60 cm thick.



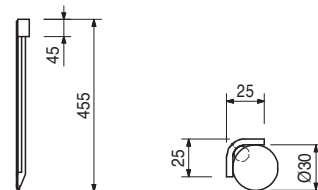
Accessories

065042	1,030
--------	-------

Peg

065042	1,030
--------	-------

Peg
 For fixing the Stopend Trestle to the ground.

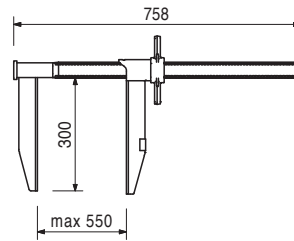
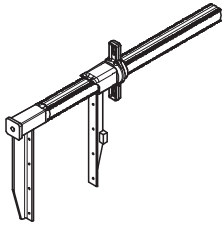


Item no. Weight kg

065045 5,050

Wall Clamp 55

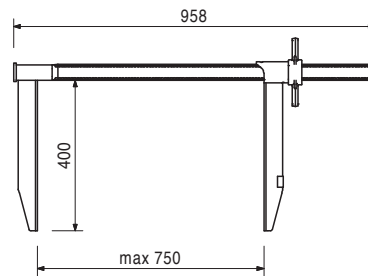
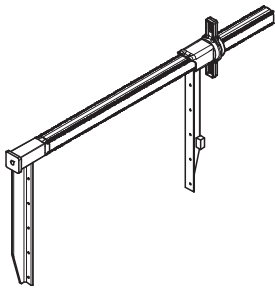
For forming strip foundations, small beams etc.
When utilizing the max. concreting height of 30 cm,
we recommend a spacing of 1.20 m for foundations.



065076 6,160

Wall Clamp 75

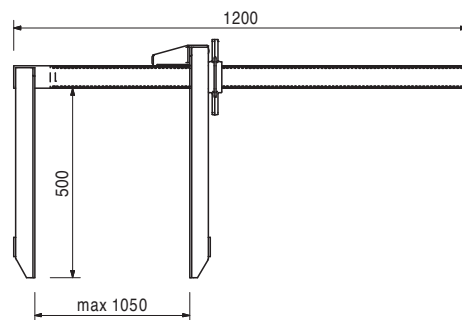
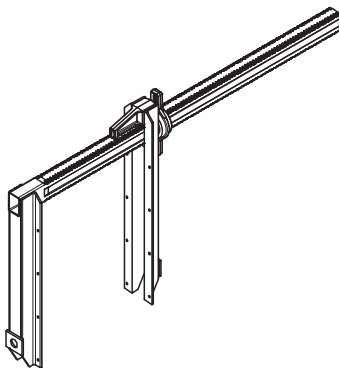
For forming strip foundations, small beams etc.
When utilizing the max. concreting height of 40 cm,
we recommend a spacing of 1.00 m for foundations.



065046 12,700

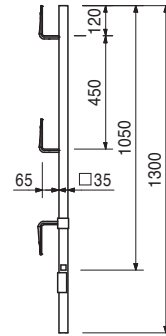
Wall Clamp 105

For forming strip foundations, small beams etc.
When utilizing the max. concreting height of 50 cm,
we recommend a spacing of 0.80 m for foundations.



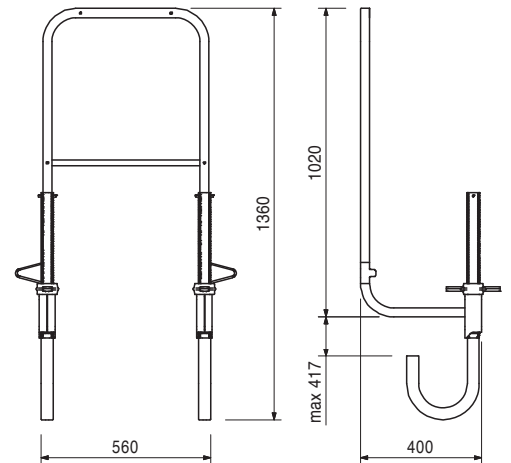
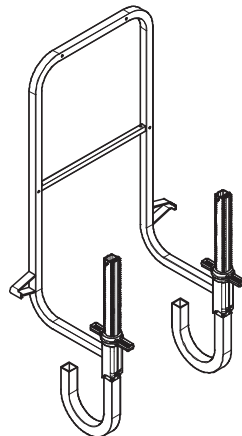
Item no.	Weight kg
116292	4,730

Guardrail Post HSGP-2
As guardrail for different systems.



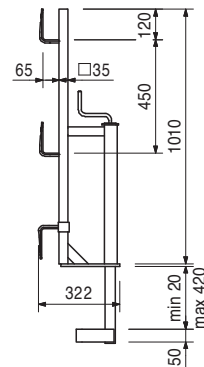
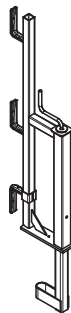
065066	15,100
--------	--------

End Guardrail Frame 55
Guardrail frame for clamping to all PERI platforms and climbing systems.



115151	10,300
--------	--------

Guardrail Holder-2
For assembling guardrails. For easy and quick clamping from 2 to 42 cm.



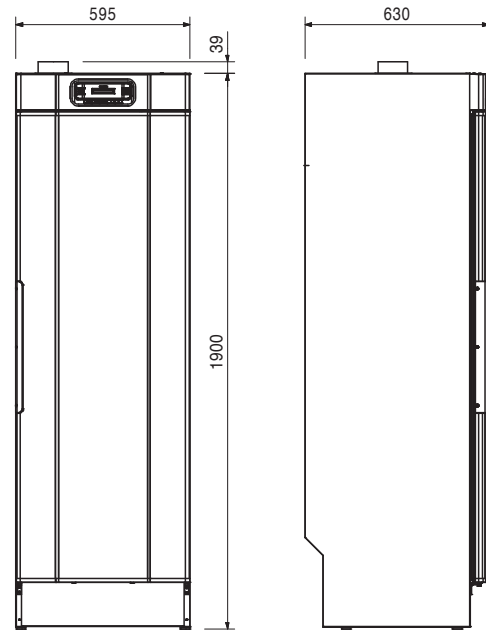
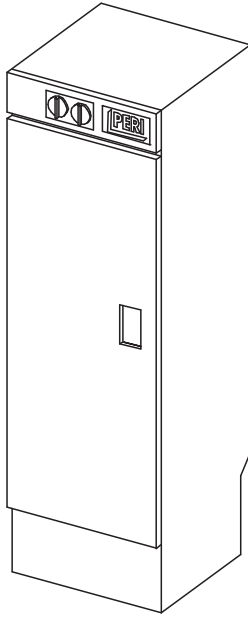
Item no.	Weight kg
065017	56,000

Drying Locker Klima TS 2000

Exhaust air dryer for drying wet clothes.
With clock timer and continuously adjustable temperature control unit.

Technical Data

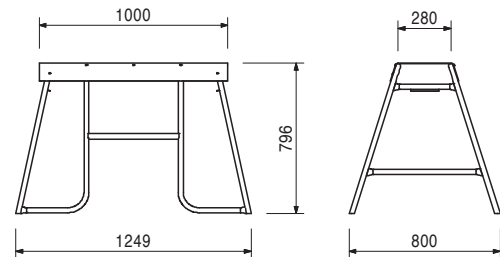
Voltage 230 V, 50-60 Hz, 1500 W.



065051	18,500
--------	--------

Trestle P 80

To be used as a single trestle or in combination to form a large-area scaffold. Tilt-resistant on all sides.



065019	1,200
065018	1,400
065020	1,800
065021	2,200

HM Concrete Scraper

HM Concrete Scraper L = 900, B = 102

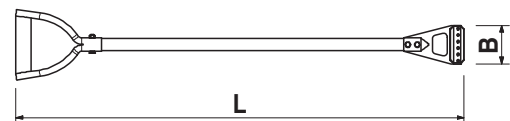
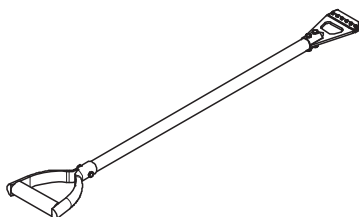
HM Concrete Scraper L = 1180, B = 54

HM Concrete Scraper L = 1180, B = 102

HM Concrete Scraper L = 1180, B = 170

Concrete scraper with ash wood handle, hardened-metal turnover plate and angled butt strap made of tool steel.

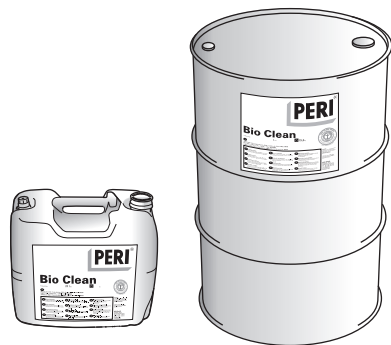
L	B
	102
1180	54
1180	102
1180	170



Item no.	Weight kg	
065022	0,035	Spare parts for concrete scraper
065023	0,070	Butt Strap 54/30 mm
065024	0,120	Butt Strap 102/30 mm
065025	0,018	HM turnover plate 16/16 mm
065026	1,030	Ash wood handle L = 1180 mm

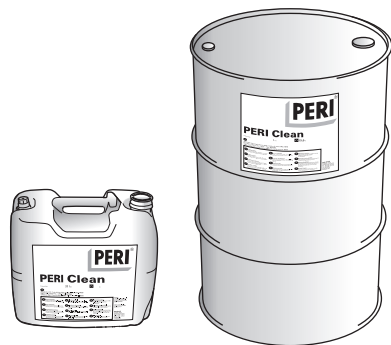
031440	0,910	PERI Bio Clean	Safety Instructions Consider PERI Bio Clean safety data sheet!
031455	0,910	PERI Bio Clean, 208 L PERI Bio Clean, 20 L	

Chemical-physical concrete release agent manufactured on the basis of ultra-pure biologically-degradable components. Can be used for standard formwork and construction site equipment. Water Contamination Class 1.



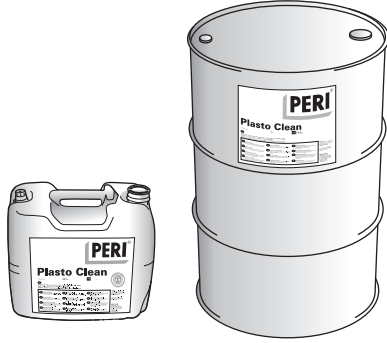
031420	0,920	PERI Clean	Safety Instructions See PERI Clean safety data sheet.
031435	0,920	PERI Clean, 20 L PERI Clean, 208 L	

Chemical-physical concrete release agent manufactured on a mineral oil basis. Can be used for standard formwork and construction site equipment. Water Contamination Class 1.



Item no.	Weight kg		
118778	20,000	PERI Plasto Clean	Safety Instructions Consider PERI Plasto Clean safety data sheet!
118779	208,000	PERI Plasto Clean 20 L	
		PERI Plasto Clean 208 L	

Chemical-physical concrete release agent manufactured on a mineral oil basis. Can be used for standard formwork, especially for formlining with plastic surfaces.
Water Contamination Class 1.



104890	4,700	Release agent pressure spayer	Complete with
		For spraying formwork surfaces evenly with PERI BIO Clean, PERI Clean or PERI Plasto Clean.	1 x 117019 Flat Spray Nozzle
			1 x 117017 Spiral Hose 2.5 m
			1 x 117015 Shut-Off Valve
			1 x 031526 Sealing Kit
			1 x 117016 Air Pump



		Spare parts for release agent pressure spayer
117015	0,154	Shut-Off Valve
031526	0,050	Sealing Kit
117016	0,610	Air Pump
117017	0,128	Spiral Hose 2.5 m
117018	0,310	Spraying Hose 2.5 m
031521	0,100	Spraying Tube 50 cm
117019	0,014	Flat Spray Nozzle



01 PERI GmbH
 Rudolf-Diesel-Strasse
 89264 Weissenhorn
 info@peri.com
 www.peri.com



02 France
 PERI S.A.S.
 77109 Meaux Cedex
 peri.sas@peri.fr
 www.peri.fr

03 Switzerland
 PERI AG
 8472 Ohringen
 info@peri.ch
 www.peri.ch

04 Spain
 PERI S.A.
 28110 Algete - Madrid
 info@peri.es
 www.peri.es

05 Belgium/Luxembourg
 N.V. PERI S.A.
 1840 Londerzeel
 info@peri.be
 www.peri.be

06 Netherlands
 PERI B.V.
 5480 AH-Schijndel
 info@peri.nl
 www.peri.nl

07 USA
 PERI Formwork Systems, Inc.
 Elkridge, MD 21075
 info@peri-usa.com
 www.peri-usa.com

08 Indonesia
 PT Beton Perkasa Wijaksana
 Jakarta 10210
 bpw@betonperkasa.com
 www.peri.com

09 Italy
 PERI S.p.A.
 20060 Basiano
 info@peri.it
 www.peri.it

10 Japan
 PERI Japan K.K.
 Tokyo 103-0015
 info@perijapan.jp
 www.perijapan.jp

11 United Kingdom/Ireland
 PERI Ltd.
 Rugby, CV23 0AN
 info@peri.ltd.uk
 www.peri.ltd.uk

12 Turkey
 PERI Kalıp ve İskeleleri
 Esenyurt / İstanbul 34510
 info@peri.com.tr
 www.peri.com.tr

13 Hungary
 PERI Kft.
 1181 Budapest
 info@peri.hu
 www.peri.hu

14 Malaysia
 PERI Formwork Malaysia
 Sdn. Bhd.
 43300 Seri Kembangan,
 Selangor Darul Ehsan
 info@perimalaysia.com
 www.perimalaysia.com

15 Singapore
 PERI ASIA Pte. Ltd
 Singapore 387355
 pha@periasia.com
 www.periasia.com

16 Austria
 PERI Ges.mbh
 3134 Nußdorf ob der Traisen
 office@peri.at
 www.peri.at

17 Czech Republic
 PERI spol. s r.o.
 252 42 Jesenice u Prahy
 info@peri.cz
 www.peri.cz

18 Denmark
 PERI Danmark A/S
 2670 Greve
 peri@peri.dk
 www.peri.dk

19 Finland
 PERI Suomi Ltd. Oy
 05460 Hyvinkää
 info@perisuomi.fi
 www.perisuomi.fi

20 Norway
 PERI Norge AS
 3036 Drammen
 info@peri.no
 www.peri.no

21 Poland
 PERI Polska Sp. z o.o.
 05-860 Płochocin
 info@peri.pl.pl
 www.peri.pl.pl

22 Sweden
 PERIform Sverige AB
 30013 Halmstad
 peri@periform.se
 www.periform.se

23 Korea
 PERI (Korea) Ltd.
 Seoul 135-080
 info@perikorea.com
 www.perikorea.com

24 Portugal
 PERIcofragens Lda
 2790-326 Queijas
 info@peri.pt
 www.peri.pt

25 Argentina
 PERI S.A.
 B1625GPA Escobar – Bs. As.
 info@peri.com.ar
 www.peri.com.ar

26 Brazil
 PERI Formas e
 Escoramentos Ltda.
 Vargem Grande Paulista
 São Paulo
 info@peribrasil.com.br
 www.peribrasil.com.br

27 Chile
 PERI Chile Ltda.
 Colina, Santiago de Chile
 peri.chile@peri.cl
 www.peri.cl

28 Romania
 PERI România SRL
 077015 Balotești
 info@peri.ro
 www.peri.ro

29 Slovenia
 PERI Slovenien
 2000 Maribor
 peri.slo@triera.net
 www.peri.com

30 Slovakia
 PERI spol. s r.o.
 903 01 Senec
 info@peri.sk
 www.peri.sk

31 Australia
 PERI Australia Pty. Ltd.
 Glendenning NSW 2761
 info@periaus.com.au
 www.periaus.com.au

32 Estonia
 PERI AS
 76406 Saku vald
 Harjumaa
 peri@peri.ee
 www.peri.ee

33 Greece
 PERI Hellas Ltd.
 194 00 Koropi
 info@perihellas.gr
 www.perihellas.gr

34 Latvia
 PERI SIA
 2118 Salaspils novads,
 Rigas rajons
 info@peri-latvija.lv
 www.peri-latvija.lv

35 United Arab Emirates
 PERI (L.L.C.)
 Dubai
 perillc@perime.com
 www.perime.com



- 36 Canada**
PERI Formwork Systems, Inc.
Bolton, ON – L7E 1K1
info@peri.ca
www.peri.ca
- 37 Lebanon**
Lebanon Representative Office
Jdeideh
lebanon@peri.de
www.peri.de
- 38 Lithuania**
PERI UAB
02300 Vilnius
info@peri.lt
www.peri.lt
- 39 Morocco**
PERI S.A.
Tanger
peri25@menara.ma
www.peri.com
- 40 Israel**
PERI Formwork
Engineering Ltd
Petach Tikva, 49002
info@peri.co.il
www.peri.co.il
- 41 Bulgaria**
PERI Bulgaria EOOD
1839 Sofia
peri.bulgaria@peri.bg
www.peri.bg
- 42 Iceland**
Armar ehf.
220 Hafnarfjörður
www.armor.is
- 43 Kazakhstan**
TOO PERI Kazakhstan
050059 Almaty
peri@peri.kz
www.peri.kz
- 44 Russian Federation**
OOO PERI
142407, Noginsk District
moscow@peri.ru
www.peri.ru
- 45 South Africa**
Wiehahn Formwork and
Scaffolding (Pty) Ltd.
7600 Stellenbosch
info@wiehahn.co.za
www.wiehahn.co.za
- 46 Ukraine**
TOW PERI Ukraina
07400 Brovary
peri@peri.ua
www.peri.ua
- 47 Egypt**
Egypt Branch Office
11361 Heliopolis / Cairo
info@peri.com.eg
www.peri.com.eg
- 48 Serbia**
PERI Oplate d.o.o.
11272 Dobanovci
office@peri.rs
www.peri.rs
- 49 Mexico**
PERI Cimbras y Andamios,
S.A. de C.V.
Estado de México,
info@peri.com.mx
www.peri.com.mx
- 50 Azerbaijan**
PERI Kalıp ve İskeleleri
Baku
peribaku@peri.com.tr
www.peri.com.tr
- 51 Turkmenistan**
PERI Kalıp ve İskeleleri
Aşgabat
ahmet.kadioglu@peri.com.tr
www.peri.com.tr
- 52 Belorussia**
PERI Belarus
220030 Minsk
info@peri.by
www.peri.com
- 53 Croatia**
PERI oplate i skele d.o.o.
10 250 Donji Stupnik/
Zagreb
info@peri.com.hr
www.peri.com.hr
- 54 Iran**
PERI GmbH
Iran Branch Office
Tehran
info@peri.ir
www.peri.ir
- 55 India**
PERI (India) Pvt Ltd
Mumbai – 400064
info@peri.in
www.peri.in
- 56 Jordan**
PERI GmbH - Jordan
11947 Amman
jordan@peri.com
www.peri.com
- 57 Kuwait**
PERI Kuwait
13011 Kuwait
kuwait@peri.com
www.peri.com
- 58 Saudi Arabia**
PERI Engineering
Division of Jamjoom
Consult Saudi Arabia
21463 Jeddah
info@peri.com.sa
www.peri.com.sa
- 59 Qatar**
PERI Qatar LLC
P.O.Box: 31295 - Doha
info@periqatar.com
www.periqatar.com
- 60 Algeria**
Société PERI S.A.S.
Kouba - Alger
peri.alger@peri.fr
www.peri.fr
- 61 Albania**
PERI Sh.p.k.
Tirane
erti.hasanaj@peri.com.tr
www.peri.com.tr
- 62 Peru**
PERI Peruana SAC
Villa El Salvador, Lima
contacto@peri.com.pe
www.peri.com.pe
- 63 Panama**
PERI Panama Inc.
0832-00155 Panama City
info@peri.com.pa
www.peri.com.pa
- 64 Angola**
PERIcofragens, Lda.
Luanda
renato.portugal@peri.pt
www.peri.pt
- 65 Nigeria**
Heights Access Nigeria Ltd.
Victoria Island, Lagos
info@heightsaccessng.com
www.heightsaccessng.com
- 66 Oman**
PERI (L.L.C.)
Muscat
perimct@perime.com
www.perime.com

The optimal System for every Project and every Requirements



Wall Formwork



Column Formwork



Slab Formwork



Climbing Systems



Tunnel Formwork



Bridge Formwork



Shoring Systems



Construction Scaffold



Facade Scaffold



Industrial Scaffold



Access



Protection Scaffold



System-Independent Accessories



Services



PERI GmbH
Formwork Scaffolding Engineering
 P.O. Box 1264
 89259 Weissenhorn
 Germany
 Tel. +49 (0)7309.950-0
 Fax +49 (0)7309.951-0
 info@peri.com
 www.peri.com