

SRS Circular Column Formwork

For perfect concrete surfaces



Edition 11/2010

PERI GmbH
Formwork Scaffolding Engineering

P.O. Box 1264

89259 Weissenhorn

Germany

Tel +49 (0)7309.950-0

Fax +49 (0)7309.951-0

info@peri.com

www.peri.com

Important Notes:

Without exception, all current safety regulations must be observed in those countries where our products are used.

The illustrations in this brochure are photographs of real site situations. Safety or formwork anchor details are therefore not to be taken as a definitive guide to the way the equipment is to be used.

Safety precautions and allowable loads are to be strictly observed. Separate structural calculations are required for any deviations from the standard design data.

The information contained herein is subject to technical changes in the interests of progress.

Contents

SRS Circular Column Formwork

- 2 Modular and precision-made components for optimal construction site use
- 4 PERI concreting platforms and access ladders for safe working conditions
- 6 Storage and transportation
- 7 Also used as stopend formwork with TRIO and RUNDFLEX
- 8 Components
- 16 PERI International

SRS Circular Column Formwork

Modular and precision-made components for optimal construction site use

SRS Circular Column Formwork is manufactured according to the highest quality standards.

Permissible fresh concrete pressure

The SRS column formwork has been designed for a very high fresh concrete pressure of 150 kN/m². This allows fast concreting to take place.

The captive column bolts allow shuttering without any special tools.

Only a hammer is required.

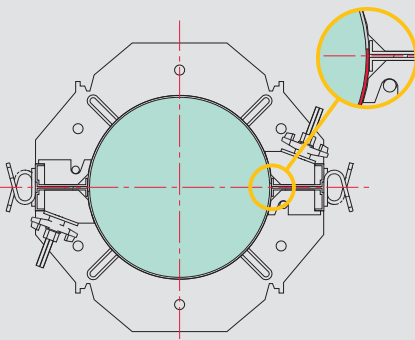


Tight formwork joints

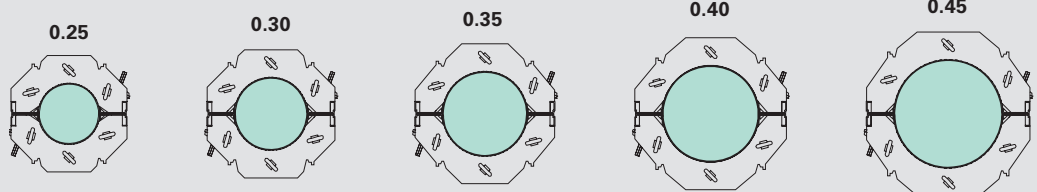
Thanks to the special design of the element joints, the freshly-poured concrete is prevented from escaping. This results in perfect concrete surfaces.

Column cross-sections

Column diameters in 5 cm increments from 25 cm to 70 cm. Other dimensions on request.



The formlining overlap at the joint between the two halves of the formwork ensures tight element joints and prevents any bleeding.



Element extensions

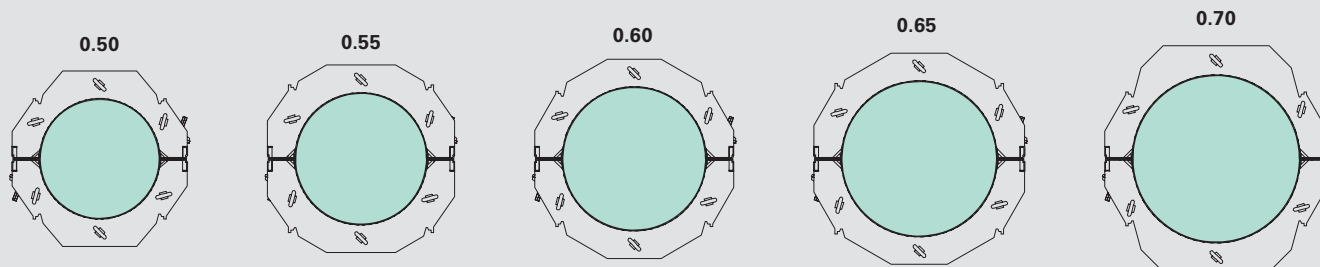
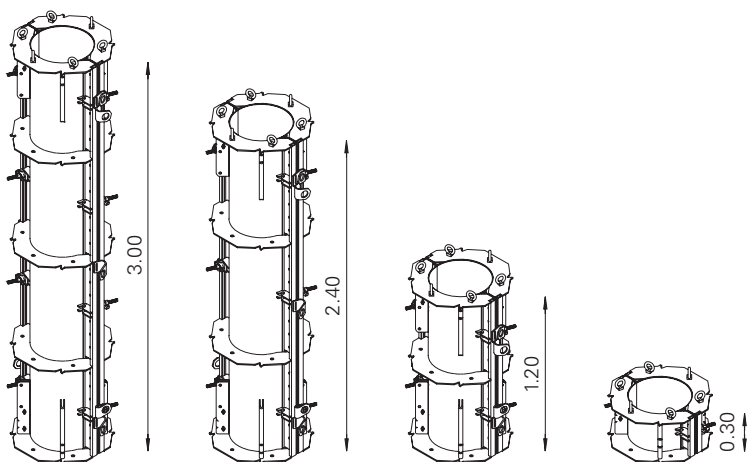
The column elements are extended and connected with eye bolts. The formwork is easy to assemble and the bolts also serve as crane lifting points.



The eye bolts, for connecting vertically, are present on every element. **Only a hammer is required.**

30 cm height increments

The four element heights of 3.00 m, 2.40 m, 1.20 m and 0.30 m, ensure optimal height adjustment.



SRS Circular Column Formwork

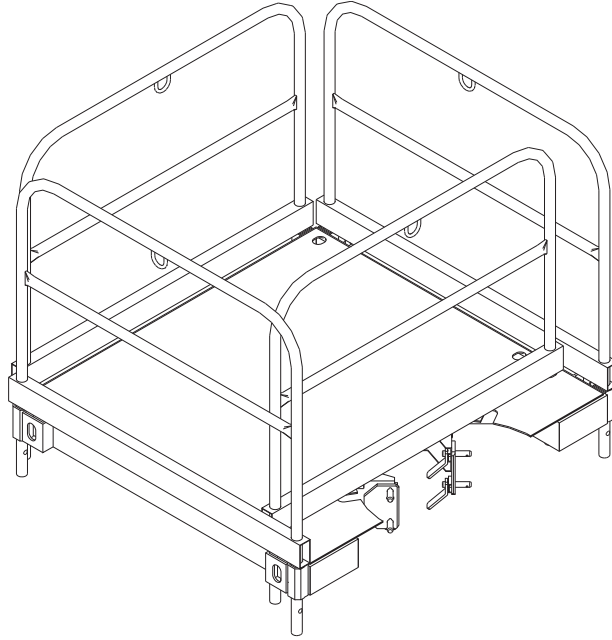
PERI concreting platforms and access ladders for safe working conditions

Safe working conditions at all heights and on every cross-section with PERI concreting platforms and access ladders.

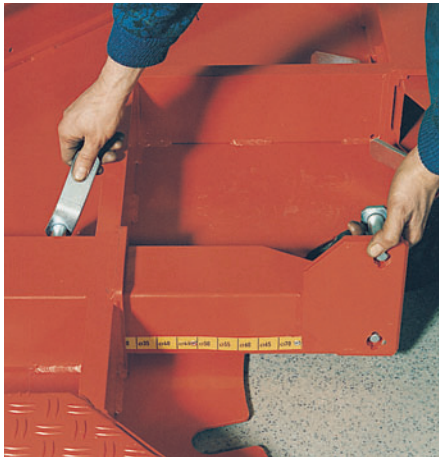
Column formwork is often cycled on a daily basis. The PERI concreting platform provides a high level of safety, and offers time and cost benefits compared to the installation and movement of traditional concreting scaffolds.

The low weight of the PERI SRS Circular Column Platform allows assembly to be carried out manually.

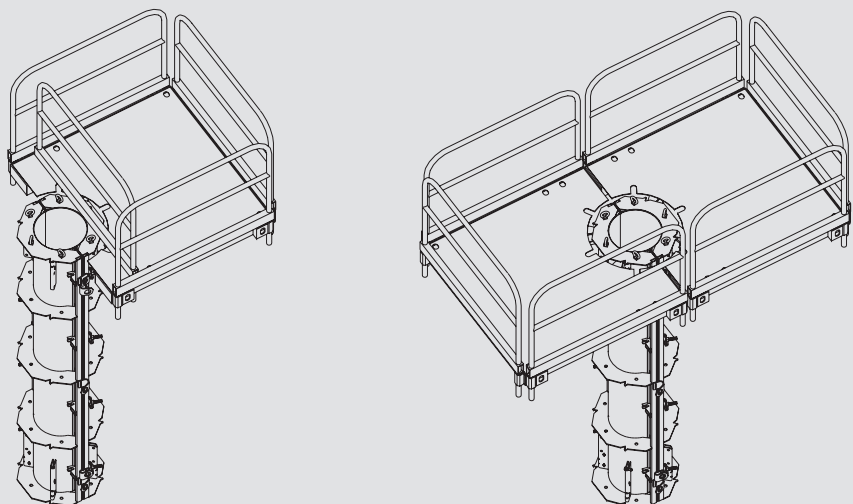
The captive pins for adjusting and erecting the platform avoid the need for small, loose components.



Circular Column Platform 25-70
Item no. 045210



The handrail sections can be inserted to create a platform around half or the complete column formwork.





Safe working on the PERI concreting platform at all heights.

The PERI SRS Circular Column Formwork, 7.80 m high, being used for the construction of an administration building.

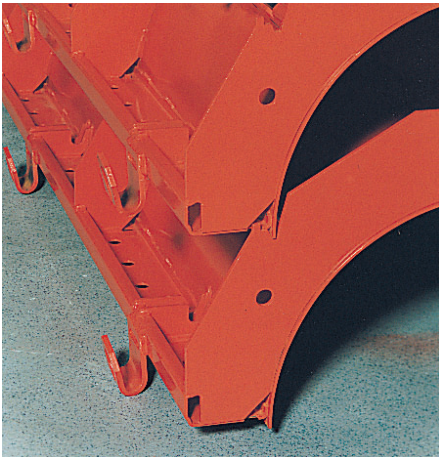
SRS Circular Column Formwork

Practical details increase safety and simplify shuttering

Storage and transportation

Integrated stacking aids ensure the panels are stacked safely and cannot slip. Costly site storage space is freed for more productive use.

Integrated stacking for compact storage.



Lifting eyes on the column elements allow easy transport with the crane.

The ECC powder coating minimises cleaning costs.

A superb architectural concrete finish is achieved time and again with a minimum of effort.



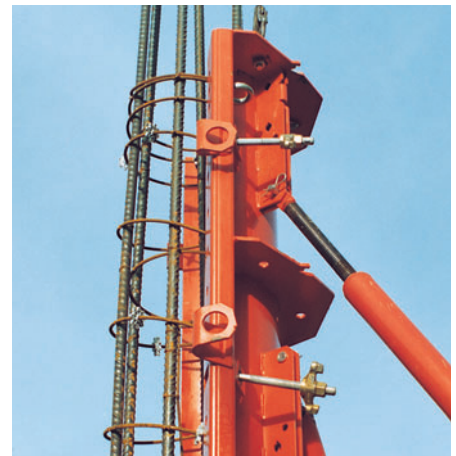
Ring bolts ensure quick and easy striking.

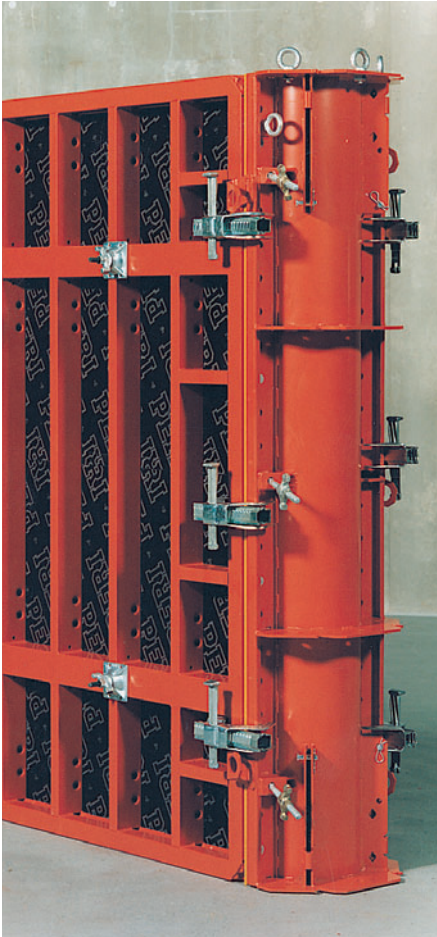
They are used for dismantling the two column halves. Easy to use and is carried out using only a hammer.



Column bolt with self-cleaning hexagonal thread.

The bolts are permanently attached. A push-pull prop connection is also available on each panel.



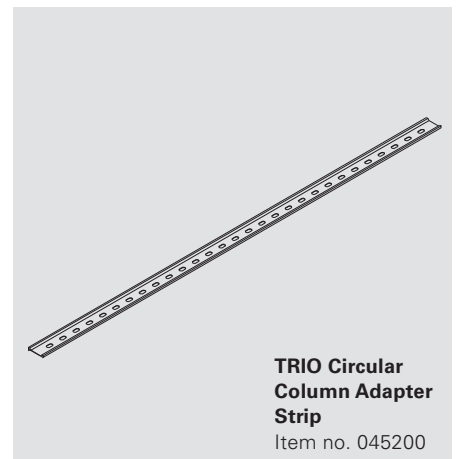


Used as stopend formwork with TRIO and RUNDFLEX.

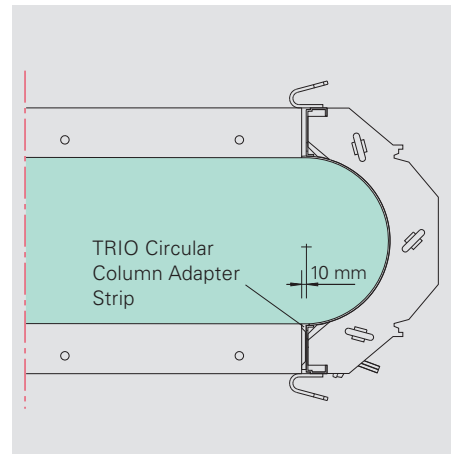
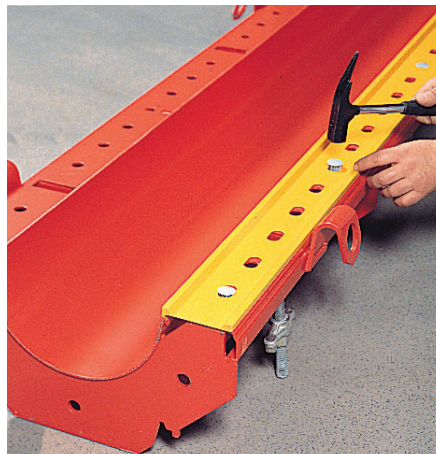
With the BFD Alignment Coupler and the Circular Column Adapter Strip, the SRS column halves can be connected to the TRIO panel formwork and the RUNDFLEX circular formwork.

For connecting to the TRIO panel formwork, the number of BFD Alignment Couplers corresponds to the number of Column Bolts.

For 2.40 m formwork heights, three BFD Alignment Couplers per side are required.



The TRIO Circular Column Adapter Strip is required only on the side with the formlining offset and replaces a 10 mm thick baton.



Item no.	Weight kg		B	X	Y
Circular Column Panels					
045010	23,200	Circular Column Panel Ø 25 cm h = 0.3 m	620	290	200
045011	63,000	Circular Column Panel Ø 25 cm h = 1.2 m	620	290	200
045012	98,900	Circular Column Panel Ø 25 cm h = 2.4 m	620	290	200
045013	120,000	Circular Column Panel Ø 25 cm h = 3.0 m	620	290	200
045020	25,200	Circular Column Panel Ø 30 cm h = 0.3 m	670	310	210
045021	67,700	Circular Column Panel Ø 30 cm h = 1.2 m	670	310	210
045022	107,000	Circular Column Panel Ø 30 cm h = 2.4 m	670	310	210
045023	130,000	Circular Column Panel Ø 30 cm h = 3.0 m	670	310	210
045030	26,400	Circular Column Panel Ø 35 cm h = 0.3 m	720	340	210
045031	71,500	Circular Column Panel Ø 35 cm h = 1.2 m	720	340	210
045032	114,000	Circular Column Panel Ø 35 cm h = 2.4 m	720	340	210
045033	139,000	Circular Column Panel Ø 35 cm h = 3.0 m	720	340	210
045040	28,400	Circular Column Panel Ø 40 cm h = 0.3 m	770	360	230
045041	76,300	Circular Column Panel Ø 40 cm h = 1.2 m	770	360	230
045042	123,000	Circular Column Panel Ø 40 cm h = 2.4 m	770	360	230
045043	150,000	Circular Column Panel Ø 40 cm h = 3.0 m	770	360	230
045050	31,000	Circular Column Panel Ø 45 cm h = 0.3 m	820	390	250
045051	82,000	Circular Column Panel Ø 45 cm h = 1.2 m	820	390	250
045052	132,000	Circular Column Panel Ø 45 cm h = 2.4 m	820	390	250
045053	161,000	Circular Column Panel Ø 45 cm h = 3.0 m	820	390	250
045060	32,800	Circular Column Panel Ø 50 cm h = 0.3 m	870	410	240
045061	86,500	Circular Column Panel Ø 50 cm h = 1.2 m	870	410	240
045062	140,000	Circular Column Panel Ø 50 cm h = 2.4 m	870	410	240
045063	171,000	Circular Column Panel Ø 50 cm h = 3.0 m	870	410	240

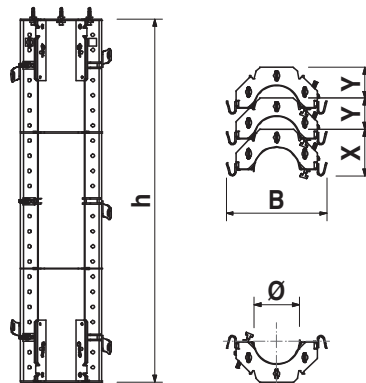
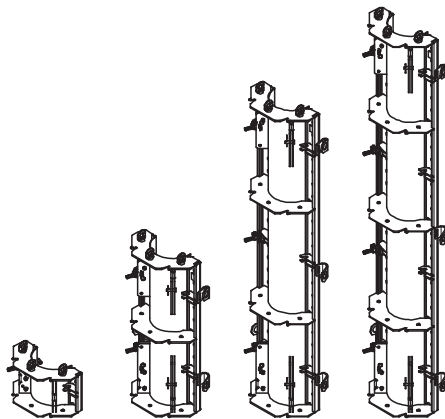
Circular column panel made of steel. With captive column bolt.

Note

Item no. and weight are per column element (half-shell).

Safety Instructions

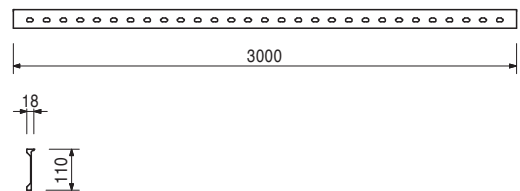
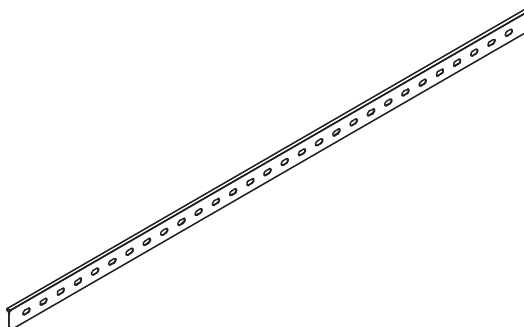
Load-bearing point capacity 1.0 t.



045200 4,070

Adapter Strip SRS-TRIO l = 3,00 m

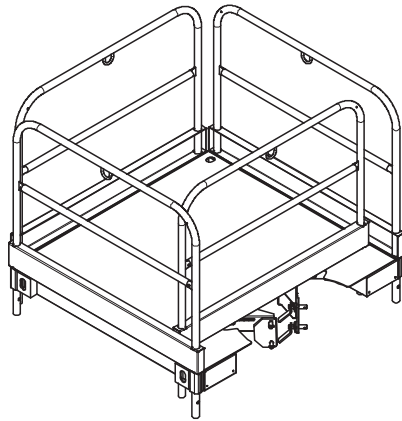
For connecting SRS circular column elements with TRIO panel formwork. Made of aluminium.



Item no.	Weight kg
045210	139,000

Circular Column Platform 25-70, compl.
 Working and concreting platform for SRS Steel
 Circular Column Ø 25 cm up to 70 cm.

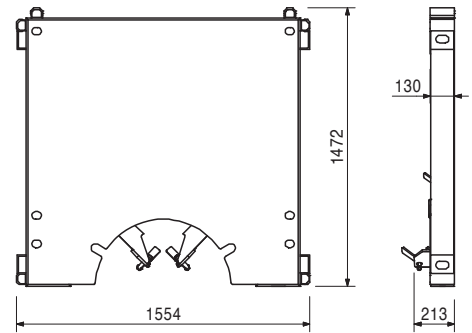
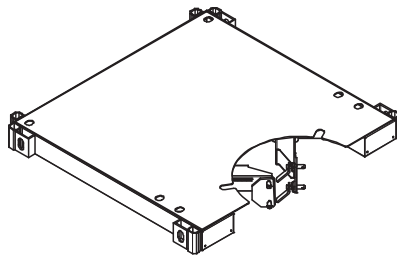
Complete with
 1 pc. 045211 Circular Column Landing 25-70
 4 pc. 037430 Guardrail Landing 134, galv.



045211	66,800
--------	--------

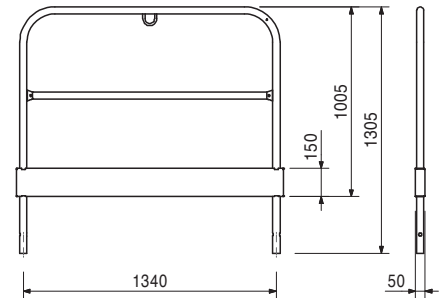
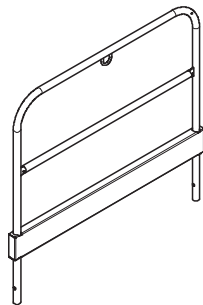
Circular Column Landing 25-70
 Fits every circular column cross-section from
 Ø 25 cm to 70 cm in 5 cm increments.

Technical Data
 Permissible load 150 kg/m².



037430	17,100
--------	--------

Platform Guardrail 134, galv.
 As guardrails for PERI concreting platforms. Locks
 in place automatically.



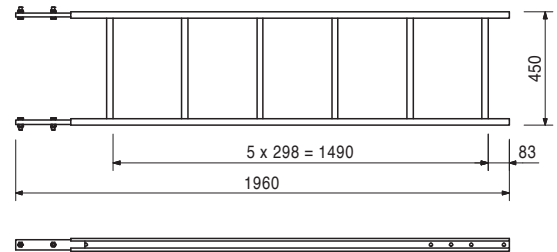
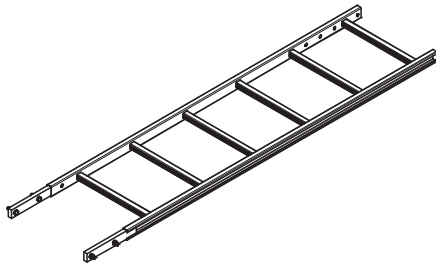
SRS Column Formwork



Item no.	Weight kg
051410	11,700

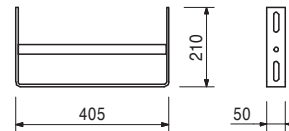
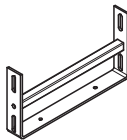
Ladder 180/6, galv.
As access for PERI formwork systems.

Complete with
4 pc. 710224 Bolt ISO 4017 M12 x 40-8.8, galv.
4 pc. 710381 Nut ISO 7042 M12-8, galv.



051460	2,180
--------	-------

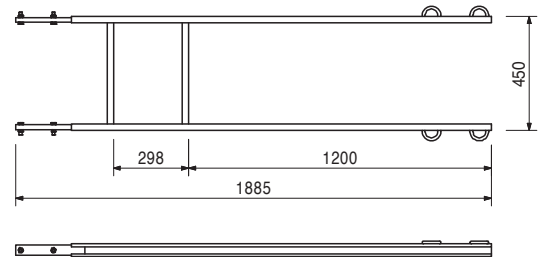
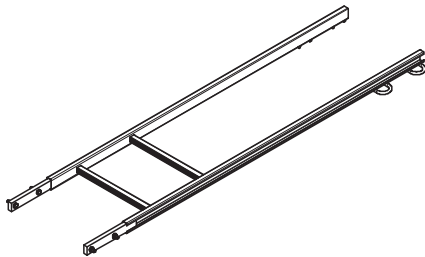
Ladder Base, galv.
As bottom ladder connection and for securing ladders against sliding on the scaffold decks.



103724	10,400
--------	--------

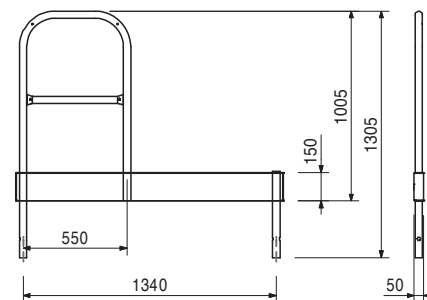
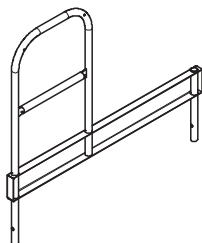
End Ladder 180/2, galv.
As access for PERI formwork systems.

Complete with
4 pc. 710224 Bolt ISO 4017 M12 x 40-8.8, galv.
4 pc. 710381 Nut ISO 7042 M12-8, galv.



103417	14,100
--------	--------

Exit Handrail Post SRS 134, galv.
For circular column landings 25-70. 1 for each access.



SRS Column Formwork

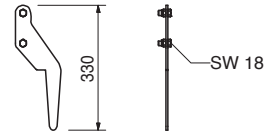


Item no.	Weight kg
103718	0,684

Ladder Hook, galv.
For adjusting the bottom ladder.
Always use in pairs.

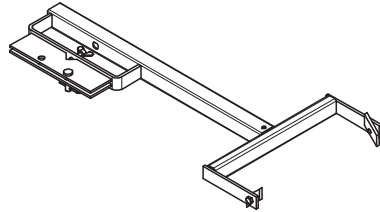


Complete with
2 pc. 710266 Bolt ISO 4017 M12 x 25-8.8, galv.
2 pc. 710381 Nut ISO 7042 M12-8, galv.

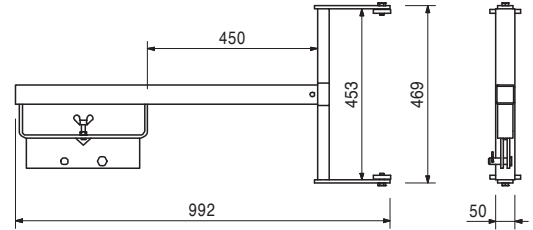


103374	9,860
--------	-------

Ladder Connector SRS, galv.
For connecting ladders to SRS circular column elements up to Ø 70 cm.

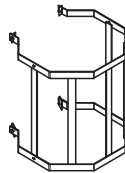


Complete with
2 pc. 701763 Clamping Plate FI 25 x 10 x 90
1 pc. 710266 Bolt ISO 4017 M12 x 25-8.8, galv.

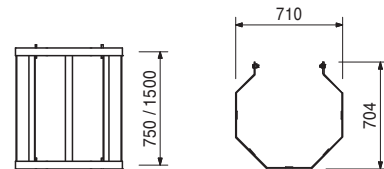


104132	15,600
051450	25,200

Ladder Safety Cages
Ladder Safety Cage 75, galv.
Ladder Safety Cage 150, galv.
Ladder safety cage for PERI access ladders.

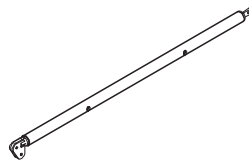


Complete with
4 pc. 710266 Bolt ISO 4017 M12 x 25-8.8, galv.
4 pc. 701763 Clamping Plate FI 25 x 10 x 90

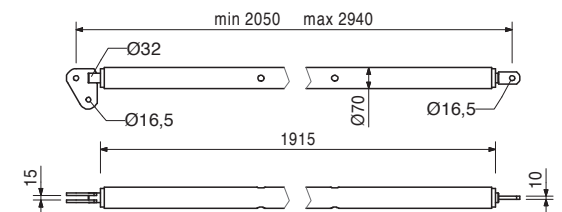


028010	17,800
--------	--------

Push-Pull Prop RSS I
Extension length L = 2.05 - 2.94 m.
For aligning PERI formwork systems.



Note
Permissible load: see PERI Design Tables.



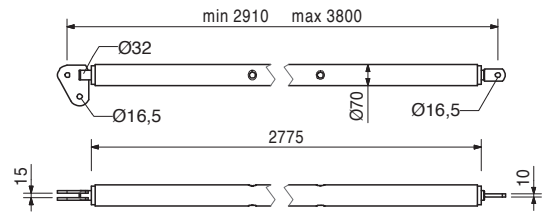
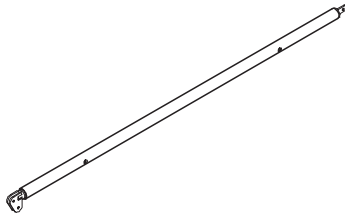
Item no.	Weight kg
028020	21,900

Push-Pull Prop RSS II

Extension length L = 2.91 - 3.80 m.
For aligning PERI formwork systems.

Note

Permissible load: see PERI Design Tables.



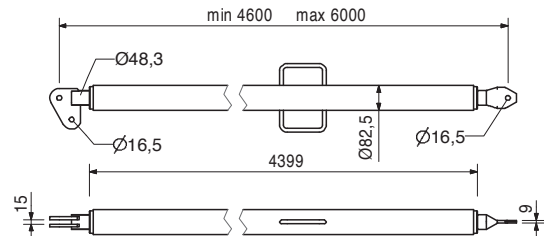
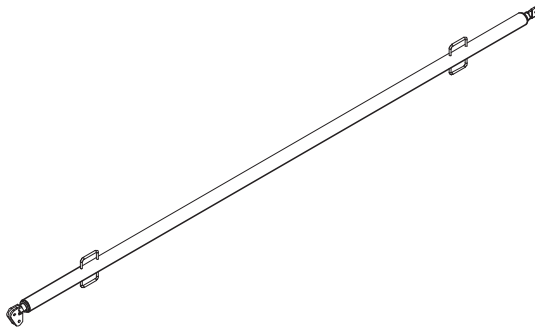
028030	38,400
--------	--------

Push-Pull Prop RSS III

Extension length L = 4.60 - 6.00 m.
For aligning PERI formwork systems.

Note

Permissible load: see PERI Design Tables.



028110	5,180
--------	-------

Kicker AV

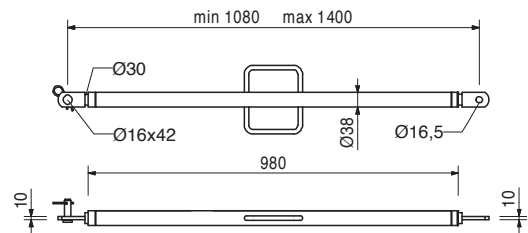
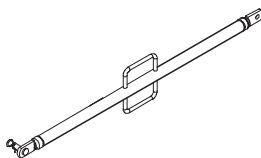
Extension length L = 1.08 - 1.40 m.
For aligning PERI formwork systems.

Complete with

- 1 pc. 027170 Bolt Ø 16 x 42, galv.
- 1 pc. 018060 Cotter Pin 4/1, galv.

Note

Permissible load: see PERI Design Tables.



108135	13,000
--------	--------

Kicker AV 210

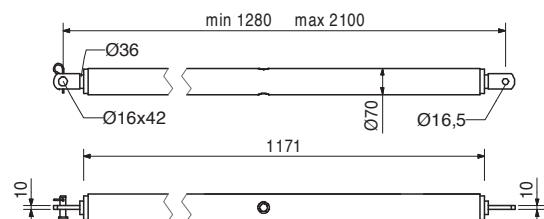
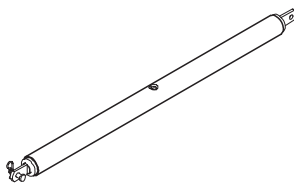
Extension length L = 1.28 - 2.10 m.
For aligning PERI formwork systems.

Complete with

- 1 pc. 027170 Bolt Ø 16 x 42, galv.
- 1 pc. 018060 Cotter Pin 4/1, galv.

Note

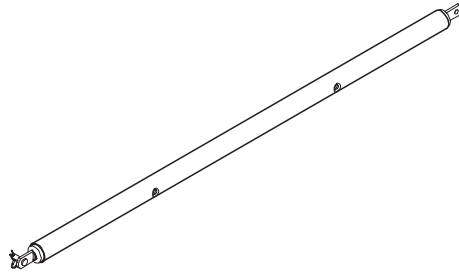
Permissible load: see PERI Design Tables.



Item no.	Weight kg
028120	16,900

Kicker AV RSS III

Extension length L = 2.03 - 2.92 m.
For aligning PERI formwork systems.

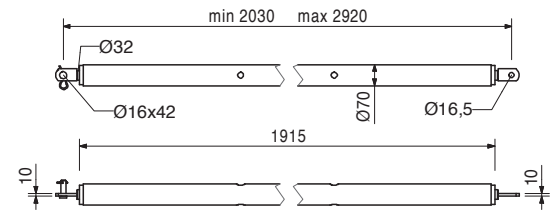


Complete with

1 pc. 027170 Bolt Ø 16 x 42, galv.
1 pc. 018060 Cotter Pin 4/1, galv.

Note

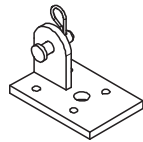
Permissible load: see PERI Design Tables.



106000	1,820
--------	-------

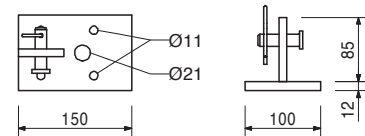
Base Plate-2 for RSS, galv.

For assembly of RSS push-pull props.



Complete with

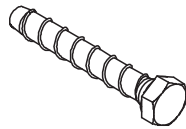
1 pc. 027170 Bolt Ø 16 x 42, galv.
1 pc. 018060 Cotter Pin 4/1, galv.



103606	0,330
--------	-------

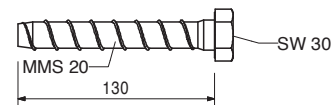
Anchor Bolt PERI MMS 20 x 130

Re-usable anchor bolt for mounting push-pull props, bracing etc.



Note

Permissible load: see PERI Design Tables.
Wrench size SW 30.





01 PERI GmbH
 Rudolf-Diesel-Strasse
 89264 Weissenhorn
 info@peri.com
 www.peri.com



02 France
 PERI S.A.S.
 77109 Meaux Cedex
 peri.sas@peri.fr
 www.peri.fr

03 Switzerland
 PERI AG
 8472 Ohringen
 info@peri.ch
 www.peri.ch

04 Spain
 PERI S.A.
 28110 Algete - Madrid
 info@peri.es
 www.peri.es

05 Belgium/Luxembourg
 N.V. PERI S.A.
 1840 Londerzeel
 info@peri.be
 www.peri.be

06 Netherlands
 PERI B.V.
 5480 AH-Schijndel
 info@peri.nl
 www.peri.nl

07 USA
 PERI Formwork Systems, Inc.
 Elkridge, MD 21075
 info@peri-usa.com
 www.peri-usa.com

08 Indonesia
 PT Beton Perkasa Wijaksana
 Jakarta 10210
 bpw@betonperkasa.com
 www.peri.com

09 Italy
 PERI S.p.A.
 20060 Basiano
 info@peri.it
 www.peri.it

10 Japan
 PERI Japan K.K.
 Tokyo 103-0015
 info@perijapan.jp
 www.perijapan.jp

11 United Kingdom/Ireland
 PERI Ltd.
 Rugby, CV23 0AN
 info@peri.ltd.uk
 www.peri.ltd.uk

12 Turkey
 PERI Kalıp ve İskeleleri
 Esenyurt / İstanbul 34510
 info@peri.com.tr
 www.peri.com.tr

13 Hungary
 PERI Kft.
 1181 Budapest
 info@peri.hu
 www.peri.hu

14 Malaysia
 PERI Formwork Malaysia
 Sdn. Bhd.
 43300 Seri Kembangan,
 Selangor Darul Ehsan
 info@perimalaysia.com
 www.perimalaysia.com

15 Singapore
 PERI ASIA Pte. Ltd
 Singapore 387355
 pha@periasia.com
 www.periasia.com

16 Austria
 PERI Ges.mbh
 3134 Nußdorf ob der Traisen
 office@peri.at
 www.peri.at

17 Czech Republic
 PERI spol. s r.o.
 252 42 Jesenice u Prahy
 info@peri.cz
 www.peri.cz

18 Denmark
 PERI Danmark A/S
 2670 Greve
 peri@peri.dk
 www.peri.dk

19 Finland
 PERI Suomi Ltd. Oy
 05460 Hyvinkää
 info@perisuomi.fi
 www.perisuomi.fi

20 Norway
 PERI Norge AS
 3036 Drammen
 info@peri.no
 www.peri.no

21 Poland
 PERI Polska Sp. z o.o.
 05-860 Płochocin
 info@peri.pl.pl
 www.peri.pl.pl

22 Sweden
 PERIform Sverige AB
 30013 Halmstad
 peri@periform.se
 www.periform.se

23 Korea
 PERI (Korea) Ltd.
 Seoul 135-080
 info@perikorea.com
 www.perikorea.com

24 Portugal
 PERIcofragens Lda
 2790-326 Queijas
 info@peri.pt
 www.peri.pt

25 Argentina
 PERI S.A.
 B1625GPA Escobar – Bs. As.
 info@peri.com.ar
 www.peri.com.ar

26 Brazil
 PERI Formas e
 Escoramentos Ltda.
 Vargem Grande Paulista
 São Paulo
 info@peribrasil.com.br
 www.peribrasil.com.br

27 Chile
 PERI Chile Ltda.
 Colina, Santiago de Chile
 peri.chile@peri.cl
 www.peri.cl

28 Romania
 PERI România SRL
 077015 Balotești
 info@peri.ro
 www.peri.ro

29 Slovenia
 PERI Slovenien
 2000 Maribor
 peri.slo@triera.net
 www.peri.com

30 Slovakia
 PERI spol. s r.o.
 903 01 Senec
 info@peri.sk
 www.peri.sk

31 Australia
 PERI Australia Pty. Ltd.
 Glendenning NSW 2761
 info@periaus.com.au
 www.periaus.com.au

32 Estonia
 PERI AS
 76406 Saku vald
 Harjumaa
 peri@peri.ee
 www.peri.ee

33 Greece
 PERI Hellas Ltd.
 194 00 Koropi
 info@perihellas.gr
 www.perihellas.gr

34 Latvia
 PERI SIA
 2118 Salaspils novads,
 Rigas rajons
 info@peri-latvija.lv
 www.peri-latvija.lv

35 United Arab Emirates
 PERI (L.L.C.)
 Dubai
 perillc@perime.com
 www.perime.com



- 36 Canada**
PERI Formwork Systems, Inc.
Bolton, ON – L7E 1K1
info@peri.ca
www.peri.ca
- 37 Lebanon**
Lebanon Representative Office
Jdeideh
lebanon@peri.de
www.peri.de
- 38 Lithuania**
PERI UAB
02300 Vilnius
info@peri.lt
www.peri.lt
- 39 Morocco**
PERI S.A.
Tanger
peri25@menara.ma
www.peri.com
- 40 Israel**
PERI Formwork
Engineering Ltd
Petach Tikva, 49002
info@peri.co.il
www.peri.co.il
- 41 Bulgaria**
PERI Bulgaria EOOD
1839 Sofia
peri.bulgaria@peri.bg
www.peri.bg
- 42 Iceland**
Armar ehf.
220 Hafnarfjörður
www.armor.is
- 43 Kazakhstan**
TOO PERI Kazakhstan
050014 Almaty
peri@peri.kz
www.peri.kz
- 44 Russian Federation**
OOO PERI
142407, Noginsk District
moscow@peri.ru
www.peri.ru
- 45 South Africa**
Wiehahn Formwork and
Scaffolding (Pty) Ltd.
7600 Stellenbosch
info@wiehahn.co.za
www.wiehahn.co.za
- 46 Ukraine**
TOW PERI Ukraina
07400 Brovary
peri@peri.ua
www.peri.ua
- 47 Egypt**
Egypt Branch Office
11361 Heliopolis / Cairo
info@peri.com.eg
www.peri.com.eg
- 48 Serbia**
PERI Oplate d.o.o.
11272 Dobanovci
office@peri.rs
www.peri.rs
- 49 Mexico**
PERI Cimbras y Andamios,
S.A. de C.V.
Estado de México,
info@peri.com.mx
www.peri.com.mx
- 50 Azerbaijan**
PERI Kalıp ve İskeleleri
Baku
peribaku@peri.com.tr
www.peri.com.tr
- 51 Turkmenistan**
PERI Kalıp ve İskeleleri
Aşgabat
ahmet.kadioglu@peri.com.tr
www.peri.com.tr
- 52 Belorussia**
PERI Belarus
220030 Minsk
info@peri.by
www.peri.com
- 53 Croatia**
PERI oplate i skele d.o.o.
10 250 Donji Stupnik/
Zagreb
info@peri.com.hr
www.peri.com.hr
- 54 Iran**
PERI GmbH
Iran Branch Office
Tehran
info@peri.ir
www.peri.ir
- 55 India**
PERI (India) Pvt Ltd
Mumbai – 400064
info@peri.in
www.peri.in
- 56 Jordan**
PERI GmbH - Jordan
11947 Amman
jordan@peri.com
www.peri.com
- 57 Kuwait**
PERI Kuwait
13011 Kuwait
kuwait@peri.com
www.peri.com
- 58 Saudi Arabia**
PERI Engineering
Division of Jamjoom
Consult Saudi Arabia
21463 Jeddah
info@peri.com.sa
www.peri.com.sa
- 59 Qatar**
PERI Qatar LLC
P.O.Box: 31295 - Doha
info@periqatar.com
www.periqatar.com
- 60 Algeria**
Société PERI S.A.S.
Kouba - Alger
peri.alger@peri.fr
www.peri.fr
- 61 Albania**
PERI Sh.p.k.
Tirane
erti.hasanaj@peri.com.tr
www.peri.com.tr
- 62 Peru**
PERI Peruana SAC
Chorrillos, Lima
contacto@peri.com.pe
www.peri.com.pe
- 63 Panama**
PERI Panama Inc.
0832-00155 Panama City
info@peri.com.pa
www.peri.com.pa
- 64 Angola**
PERIcofragens, Lda.
Luanda
renato.portugal@peri.pt
www.peri.pt
- 65 Nigeria**
Heights Access Nigeria Ltd.
Victoria Island, Lagos
info@heightsaccessng.com
www.heightsaccessng.com
- 66 Oman**
PERI (L.L.C.)
Muscat
perimct@perime.com
www.perime.com

PERI Product Range



Wall Formwork

Panel Formwork
Girder Formwork
Circular Formwork
Facade Formwork
Brace Frame



Climbing Systems

Climbing Scaffold
Self-Climbing System
Climbing Protection Panel
Platform Systems



Column Formwork

Square
Rectangular
Circular



Scaffold, Stairways, Working Platforms

Facade Scaffold
Working Platform
Weather Protection Roof
Stairway Access



Slab Formwork

Panel Formwork
Beam Grid Formwork
Girder Formwork
Slab Table
Beam Formwork



Bridge and Tunnel Formwork

Cantilevered Parapet Carriage
Cantilevered Parapet Platform
Engineer's Construction Kit



Shoring Systems

Steel Slab Props
Aluminium Slab Props
Tower Systems
Heavy-Duty Props



Services

Formwork Assembly
Cleaning / Repairs
Formwork Planning
Software
Statics
Special Constructions

Additional Systems
Plywood
Formwork Girders
Stopend Systems
Pallets
Transportation Containers



PERI GmbH Formwork Scaffolding Engineering

P.O. Box 1264
89259 Weissenhorn
Germany
Tel. +49 (0)7309.950-0
Fax +49 (0)7309.951-0
info@peri.com
www.peri.com