

## PEP – PERI Euro Prop

Props with well-developed and practical details for fast forming



Edition 01/2011

**PERI GmbH**  
**Formwork Scaffolding Engineering**

P.O. Box 1264

89259 Weissenhorn

Germany

Tel +49 (0)73 09.9 50-0

Fax +49 (0)73 09.9 51-0

info@peri.com

www.peri.com

**Important Notes:**

Without exception, all current safety regulations must be observed in those countries where our products are used.

The illustrations in this brochure are photographs of real site situations. Safety or formwork anchor details are therefore not to be taken as a definitive guide to the way the equipment is to be used.

Safety precautions and allowable loads are to be strictly observed at all times. Separate structural calculations are required for any deviations from the standard design data.

The information contained herein is subject to technical changes in the interests of progress.

# Contents

## **PERI PEP 20 and PEP 30**

- 2 High load-bearing capacity with low weight
- 4 Well-developed features for faster forming
- 6 Tables
- 10 Components
- 16 PERI International

# PERI PEP 20 and PEP 30

## High load-bearing capacity with low weight

The PEP props from PERI have been type-tested according to DIN EN 1065.

**Load-bearing capacity:**  
PEP 20 props correspond to Class D of DIN EN 1065.

The permissible prop load is a min. 20 kN for all extension lengths.

**PEP 30 props correspond to Class E of DIN EN 1065.**

The permissible prop load is a min. 30 kN for all extension lengths.

### **Durability**

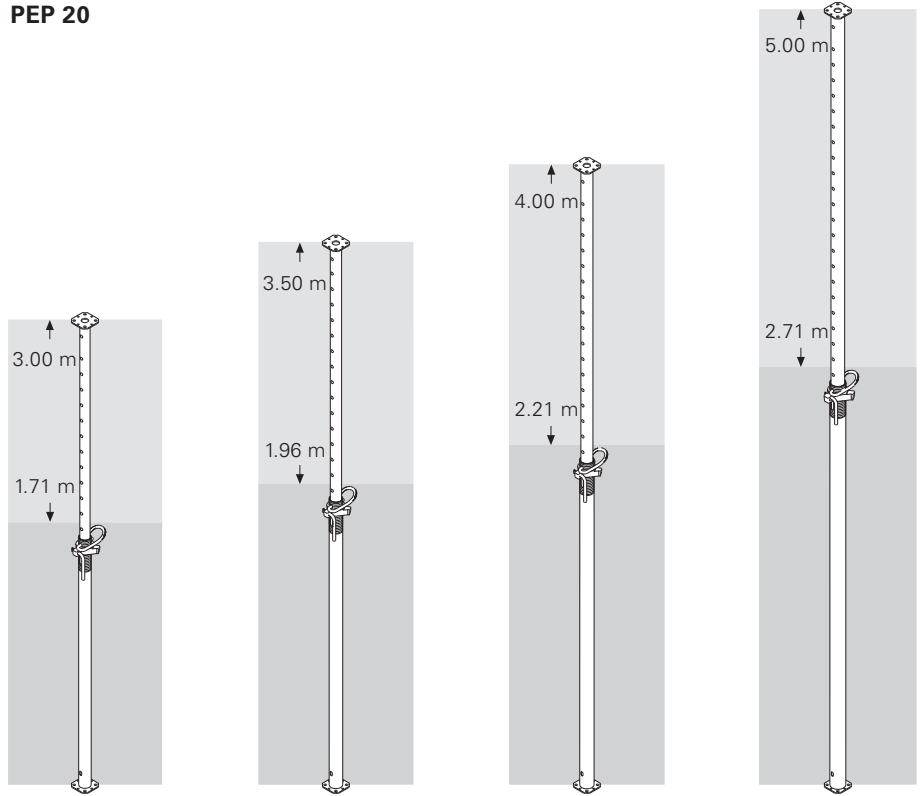
The 100 % galvanisation of all surfaces at the end of the production process ensures a long service life.



The PEP 30-350, L = 1.96 m - 3.50 m weighs only 23 kg and carries 30.0 kN at full extension. This makes the work easy and tireless.

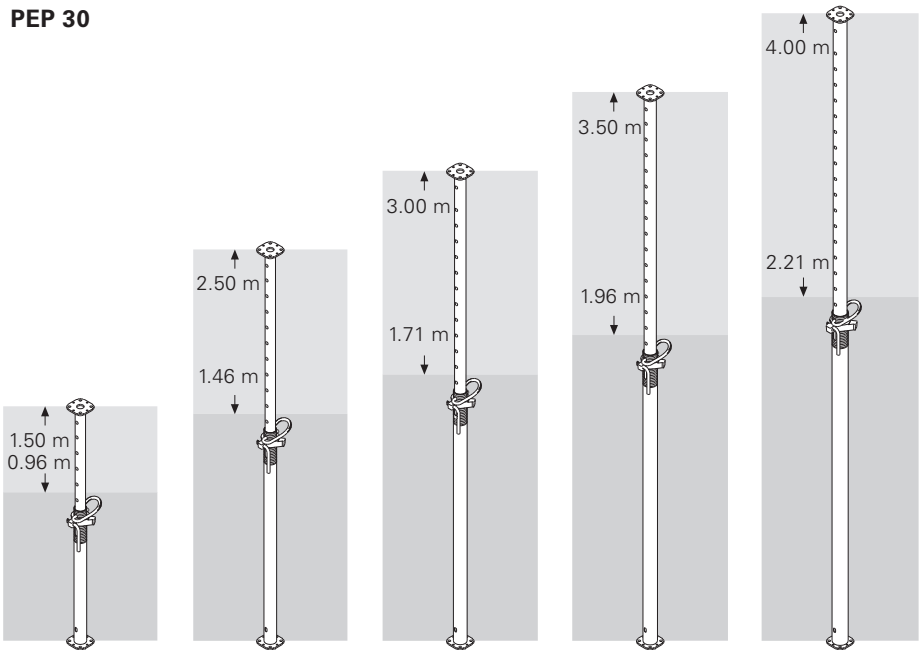


**PEP 20**



<b>PEP 20-300</b> L= 1.71 – 3.00 m Weight: 15.9 kg	<b>PEP 20-350</b> L= 1.96 – 3.50 m Weight: 19.4 kg	<b>PEP 20-400</b> L= 2.21 – 4.00 m Weight: 22.8 kg	<b>PEP 20-500</b> L= 2.71 – 5.00 m Weight: 30.9 kg
--	--	--	--

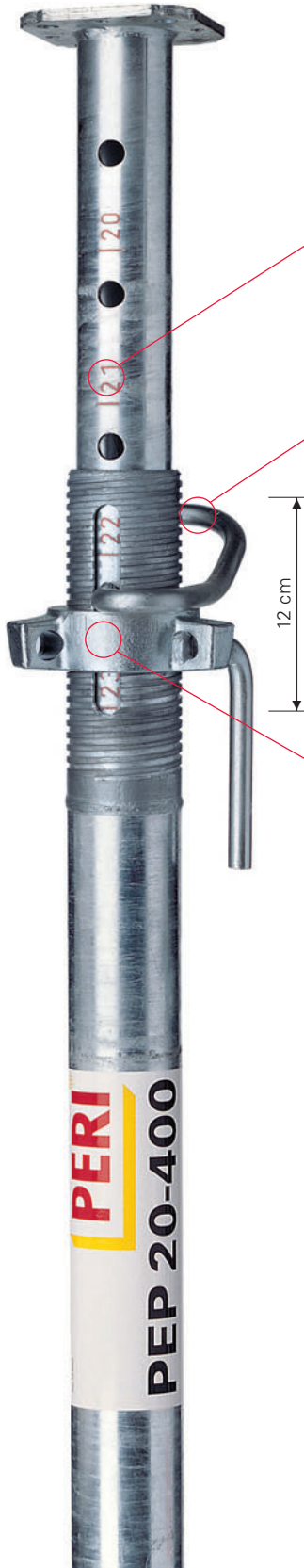
**PEP 30**



<b>PEP 30-150</b> L= 0.96 – 1.50 m Weight: 10.6 kg	<b>PEP 30-250</b> L= 1.46 – 2.50 m Weight: 15.2 kg	<b>PEP 30-300</b> L= 1.71 – 3.00 m Weight: 18.9 kg	<b>PEP 30-350</b> L= 1.96 – 3.50 m Weight: 23.0 kg	<b>PEP 30-400</b> L= 2.21 – 4.00 m Weight: 27.8 kg
--	--	--	--	--

# PERI PEP 20 and PEP 30

## Well-developed features for faster forming



### Low injury risk

The integrated 10 cm safety clearance protects against injuries.

### Stamped measuring scale

For faster prop length adjustment. Stamped numbers on the inner tube show the overall length in dm, at the end of the outer tube.

### Good handling

The G-hook is ergonomically formed and can be securely clamped.

### Generous adjustment range

The large adjustment range of 12 cm makes frequent pin adjustment unnecessary.

### High-quality forged nut

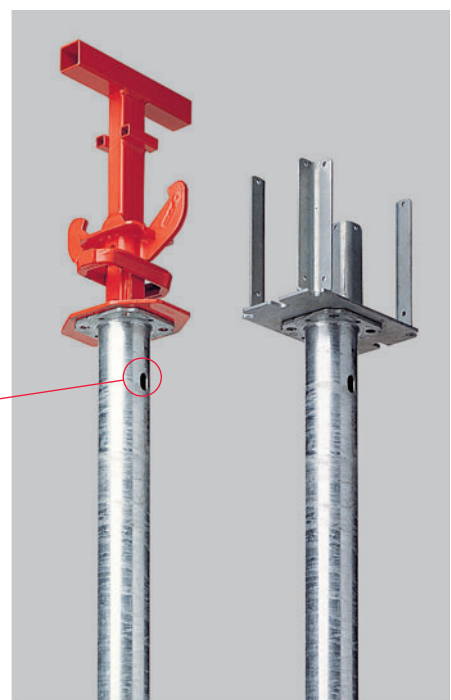
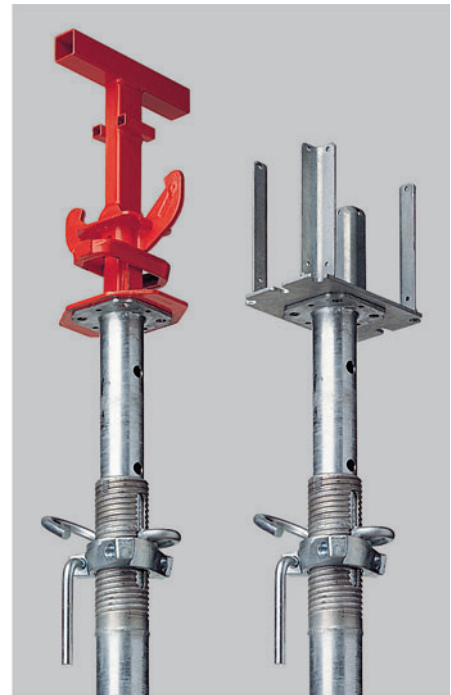
High-quality forged nut with hardened bearing surface and double-thread for easy loosening even under full loads.

### Securing with bolts

System heads without self-locking coupler can also be secured to the outer tube with a bolt.

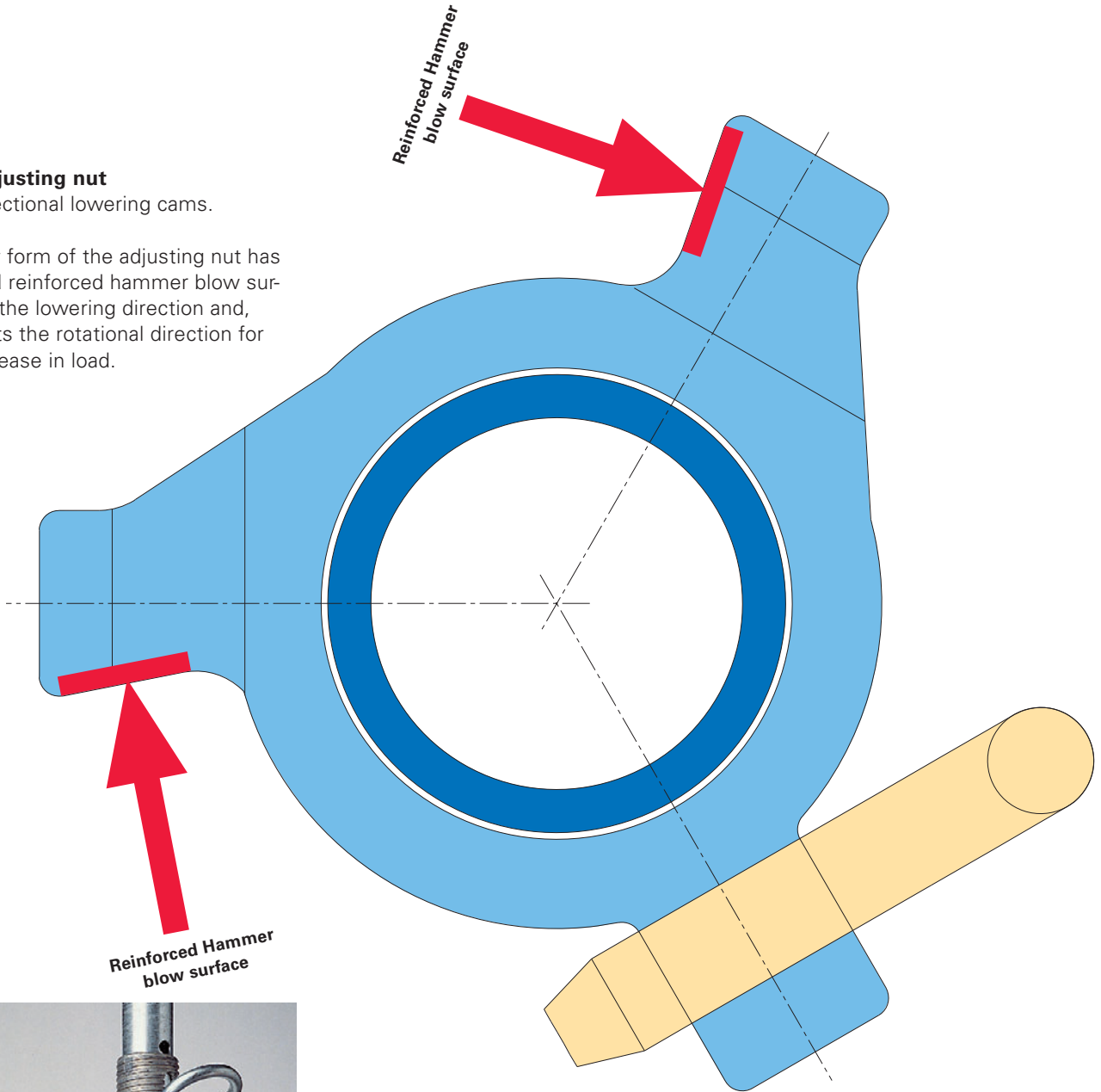
### Assembly of accessories

The prop heads are centered using the same end plates on the inner and outer tube. This means the new PEP props can easily be turned "on their head" and are simple to use.



**New adjusting nut**  
with directional lowering cams.

The new form of the adjusting nut has stamped reinforced hammer blow surfaces in the lowering direction and, thus, sets the rotational direction for the decrease in load.



Lowering with the directional adjusting nut is easy on the materials.



PERI props can also be lowered easily by means of a tie rod, even under full load.

# Slab Props

## PEP 20

### Permissible Prop Load [kN] according to the Type Test

Extension Length [m]	PEP 20 N 260* L = 1.51 – 2.60 m		PEP 20 – 300 PEP 20 N 300* L = 1.71 – 3.00 m		PEP 20 – 350 PEP 20 N 350* L = 1.96 – 3.50 m		PEP 20 – 400 PEP 20 G 410* L = 2.21 – 4.00 m		PEP 20 – 500 L = 2.71 – 5.00	
	Outer Tube Bottom	Inner Tube Bottom	Outer Tube Bottom	Inner Tube Bottom	Outer Tube Bottom	Inner Tube Bottom	Outer Tube Bottom	Inner Tube Bottom	Outer Tube Bottom	Inner Tube Bottom
1.60	35.0	35.0								
1.70	35.0	35.0								
1.80	35.0	35.0	35.0	35.0						
1.90	35.0	35.0	35.0	35.0						
2.00	33.5	35.0	35.0	35.0	35.0	35.0				
2.10	31.9	35.0	32.2	35.0	35.0	35.0				
2.20	30.9	35.0	30.5	35.0	35.0	35.0				
2.30	29.8	35.0	29.0	35.0	35.0	35.0	35.0	35.0		
2.40	28.6	35.0	27.8	35.0	35.0	35.0	35.0	35.0		
2.50	27.1	32.9	26.9	35.0	35.0	35.0	35.0	35.0		
2.60	24.8	29.4	26.1	35.0	33.8	35.0	35.0	35.0		
2.70			24.9	31.7	32.4	35.0	35.0	35.0		
2.80			23.3	28.5	31.2	35.0	35.0	35.0	35.0	35.0
2.90			21.6	25.7	30.2	35.0	35.0	35.0	35.0	35.0
3.00			20.0	23.2	29.2	35.0	35.0	35.0	35.0	35.0
3.10					27.5	34.6	33.6	35.0	35.0	35.0
3.20					25.7	31.5	32.5	35.0	35.0	35.0
3.30					24.1	28.8	31.2	35.0	35.0	35.0
3.40					22.4	26.4	29.6	35.0	35.0	35.0
3.50					20.7	24.1	27.8	33.9	35.0	35.0
3.60							26.1	31.2	35.0	35.0
3.70							24.5	28.9	35.0	35.0
3.80							23.0	26.8	35.0	35.0
3.90							21.6	24.8	35.0	35.0
4.00							20.1	22.8	34.2	35.0
4.10									32.3	35.0
4.20									30.6	35.0
4.30									28.9	34.0
4.40									27.4	31.9
4.50									26.0	29.9
4.60									24.6	28.1
4.70									23.4	26.4
4.80									22.1	24.9
4.90									20.9	23.4
5.00									20.0	21.8

All PEP 20 Props conform to DIN EN 1065 Class D, i.e. the permissible load for the entire extension range is at least 20 kN.

All PEP 20 Props clamped in the Table Swivel Head or UNIportal Head fitted to PERI tableforms have a permissible load of a minimum 30 kN over the entire extension range.

\*For the N and G Props, use of the inner tube at the bottom is only possible with PERI slab tables or SKYDECK (bolted head).



# Slab Props

## PEP 20 with Base MP 50

### Permissible Prop Load [kN] according to the Type Test

Overall Height [m] (prop extension + 50 cm)	PEP 20 N 260* L = 1.51 – 2.60 m		PEP 20 – 300 L = 1.71 – 3.00 m		PEP 20 – 350 L = 1.96 – 3.50 m		PEP 20 – 400 L = 2.21 – 4.00 m		PEP 20 – 500 L = 2.71 – 5.00	
	Outer Tube Bottom	Inner Tube Bottom	Outer Tube Bottom	Inner Tube Bottom	Outer Tube Bottom	Inner Tube Bottom	Outer Tube Bottom	Inner Tube Bottom	Outer Tube Bottom	Inner Tube Bottom
2.10	35.3	35.3								
2.20	35.3	35.3								
2.30	35.3	35.3	35.3	35.3						
2.40	33.2	35.3	35.3	35.3						
2.50	31.0	35.3	33.8	35.3	35.3	35.3				
2.60	29.5	35.3	30.9	35.3	35.3	35.3				
2.70	27.8	35.3	28.7	35.3	35.3	35.3				
2.80	26.5	33.7	27.0	35.3	35.3	35.3	35.3	35.3		
2.90	25.6	29.8	25.6	34.7	35.3	35.3	35.3	35.3		
3.00	23.7	26.7	24.4	31.2	34.0	35.3	35.3	35.3		
3.10	21.6	23.9	23.5	28.0	31.9	35.3	35.3	35.3		
3.20			22.4	25.5	30.2	35.3	35.3	35.3		
3.30			20.7	23.2	28.8	35.3	35.3	35.3	35.3	35.3
3.40			19.3	21.2	27.6	33.2	34.7	35.3	35.3	35.3
3.50			17.5	19.2	26.2	29.8	32.9	35.3	35.3	35.3
3.60					24.6	27.8	31.3	35.3	35.3	35.3
3.70					22.9	25.3	29.9	34.3	35.3	35.3
3.80					21.3	23.5	28.2	31.8	35.3	35.3
3.90					19.8	21.9	26.5	29.1	35.3	35.3
4.00					18.3	20.1	24.8	26.9	35.3	35.3
4.10							23.2	25.3	35.3	35.3
4.20							21.8	23.5	35.3	35.3
4.30							20.4	22.1	34.6	35.3
4.40							19.1	20.6	32.7	35.3
4.50							17.8	19.2	30.7	33.2
4.60									28.4	31.2
4.70									27.2	29.1
4.80									25.7	27.6
4.90									24.3	26.0
5.00									23.1	24.6
5.10									21.9	23.3
5.20									20.8	22.1
5.30									19.7	20.9
5.40									18.5	19.4
5.50									17.6	17.7

\*For the N and G Props, use of the inner tube at the bottom is only possible with PERI slab tables or SKYDECK (bolted head).

# Slab Props

## PEP 30

### Permissible Prop Load [kN] according to the Type Test

Extension Length [m]	PEP 30 – 150 L = 0.96 – 1.50 m		PEP 30 – 250 L = 1.46 – 2.50 m		PEP 30 – 300 PEP 30 G 300* L = 1.71 – 3.00 m		PEP 30 – 350 PEP 30 G 350* L = 1.96 – 3.50 m		PEP 30 – 400 L = 2.21 – 4.00 m	
	Outer Tube Bottom	Inner Tube Bottom	Outer Tube Bottom	Inner Tube Bottom	Outer Tube Bottom	Inner Tube Bottom	Outer Tube Bottom	Inner Tube Bottom	Outer Tube Bottom	Inner Tube Bottom
1.00	35.0	35.0								
1.10	35.0	35.0								
1.20	35.0	35.0								
1.30	34.9	35.0								
1.40	34.2	35.0								
1.50	33.5	35.0	40.0	40.0						
1.60			40.0	40.0						
1.70			40.0	40.0						
1.80			40.0	40.0	40.0	40.0				
1.90			38.5	40.0	40.0	40.0				
2.00			36.8	40.0	40.0	40.0	40.0	40.0		
2.10			35.3	40.0	40.0	40.0	40.0	40.0		
2.20			34.4	40.0	40.0	40.0	40.0	40.0		
2.30			33.3	40.0	40.0	40.0	40.0	40.0	40.0	40.0
2.40			32.1	37.6	40.0	40.0	40.0	40.0	40.0	40.0
2.50			30.1	34.8	39.9	40.0	40.0	40.0	40.0	40.0
2.60					38.8	40.0	40.0	40.0	40.0	40.0
2.70					37.4	40.0	40.0	40.0	40.0	40.0
2.80					35.8	40.0	40.0	40.0	40.0	40.0
2.90					33.2	37.2	40.0	40.0	40.0	40.0
3.00					30.4	33.8	40.0	40.0	40.0	40.0
3.10							40.0	40.0	40.0	40.0
3.20							37.6	40.0	40.0	40.0
3.30							35.0	37.6	40.0	40.0
3.40							32.3	34.6	40.0	40.0
3.50							30.0	31.6	40.0	40.0
3.60									40.0	40.0
3.70									40.0	40.0
3.80									37.4	40.0
3.90									34.8	37.0
4.00									32.2	33.9

All PEP 30 Props conform with DIN EN 1065 Class E, i.e. the permissible load for the entire extension range is at least 30 kN.

All PEP 30 Props clamped in the table swivel head or UNIPORTAL head fitted to PERI tableforms have a permissible load of a minimum 40 kN (PEP 30-150 = 35 kN) over the entire extension range.

\*For the N and G Props, use of the inner tube at the bottom is only possible with PERI slab tables or SKYDECK (bolted head).

# Slab Props

## PEP 30 with Base MP 50

### Permissible Prop Load [kN] according to the Type Test

Overall Height [m] (prop extension + 50 cm)	PEP 30 – 250 L = 1.46 – 2.50 m		PEP 30 – 300 PEP 30 G 300* L = 1.71 – 3.00 m		PEP 30 – 350 PEP 30 G 350* L = 1.96 – 3.50 m		PEP 30 – 400 L = 2.21 – 4.00 m	
	Outer Tube Bottom	Inner Tube Bottom	Outer Tube Bottom	Inner Tube Bottom	Outer Tube Bottom	Inner Tube Bottom	Outer Tube Bottom	Inner Tube Bottom
2.00	41.6	41.6						
2.10	41.6	41.6						
2.20	41.6	41.6						
2.30	38.9	41.6	41.6	41.6				
2.40	36.1	41.6	41.6	41.6				
2.50	33.9	41.6	41.6	41.6	44.1	44.1		
2.60	32.2	41.0	41.6	41.6	44.1	44.1		
2.70	30.8	38.7	41.6	41.6	44.1	44.1		
2.80	29.7	35.3	40.3	41.6	44.1	44.1	40.3	40.3
2.90	27.5	31.3	38.3	41.6	44.1	44.1	40.3	40.3
3.00	25.9	27.6	36.5	41.3	44.1	44.1	40.3	40.3
3.10			35.1	40.0	44.1	44.1	40.3	40.3
3.20			32.9	36.8	43.8	44.1	40.3	40.3
3.30			31.1	33.2	41.7	44.1	40.3	40.3
3.40			28.5	30.3	38.8	41.8	40.3	40.3
3.50			26.1	27.1	37.1	39.7	40.3	40.3
3.60					34.8	36.5	40.3	40.3
3.70					32.4	33.5	40.3	40.3
3.80					30.0	30.9	40.3	40.3
3.90					27.8	28.7	40.3	40.3
4.00					25.6	26.3	39.4	40.3
4.10							36.7	37.9
4.20							34.3	35.2
4.30							32.0	32.9
4.40							29.9	30.5
4.50							27.6	28.2

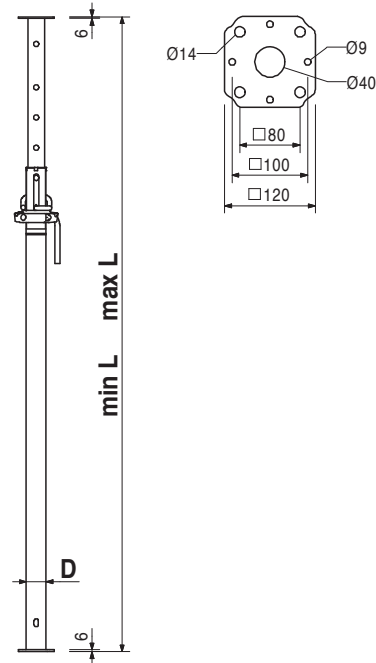
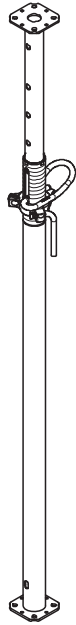
\*For the N and G Props, use of the inner tube at the bottom is only possible with PERI slab tables or SKYDECK (bolted head).

Item no.	Weight kg		D	min. L	max. L
103058	16,100	<b>Slab Props PEP 20</b>	Ø 66,0	1710	3000
103059	19,600	<b>Slab Prop PEP 20-300, galv.</b>	Ø 71,5	1960	3500
103060	22,900	<b>Slab Prop PEP 20-400, galv.</b>	Ø 75,5	2210	4000
103061	30,600	<b>Slab Prop PEP 20-500, galv.</b>	Ø 84,0	2710	5000

Steel slab prop.

**Note**

Permissible load: see PERI Design Tables.

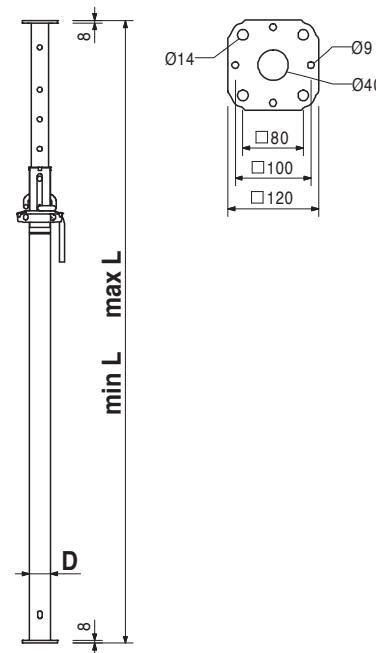
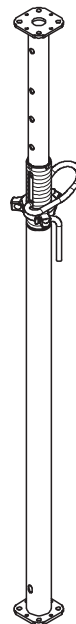


Item no.	Weight kg		D	min. L	max. L
103066	10,400	<b>Slab Props PEP 30</b>	Ø 66,0	960	1500
103067	15,000	<b>Slab Prop PEP 30-150, galv.</b>	Ø 66,0	1460	2500
103062	18,700	<b>Slab Prop PEP 30-300, galv.</b>	Ø 71,5	1710	3000
103063	22,700	<b>Slab Prop PEP 30-350, galv.</b>	Ø 75,5	1960	3500
103065	27,200	<b>Slab Prop PEP 30-400, galv.</b>	Ø 84,0	2210	4000

Steel slab prop.

**Note**

Permissible load: see PERI Design Tables.

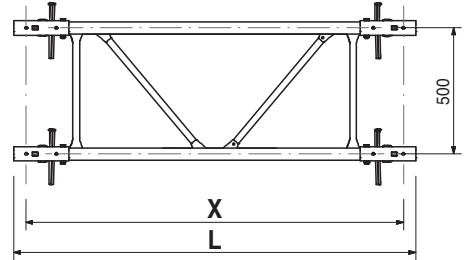
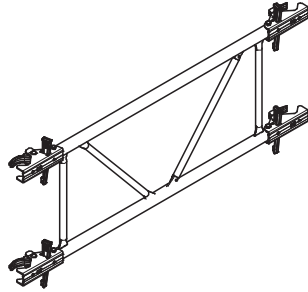


Item no.	Weight kg
111811	13,700
111812	13,900
112813	15,900
112814	17,800
111813	19,200
111814	20,100

**PEP Frame PRK, steel**  
**PEP Frame PRK 62,5**  
**PEP Frame PRK 75**  
**PEP Frame PRK 100**  
**PEP Frame PRK 120**  
**PEP Frame PRK 137,5**  
**PEP Frame PRK 150**

L	X
723	625
848	750
1098	1000
1298	1200
1473	1375
1598	1500

Brace frame for PERI PEP slab props. With captive wedge coupling.

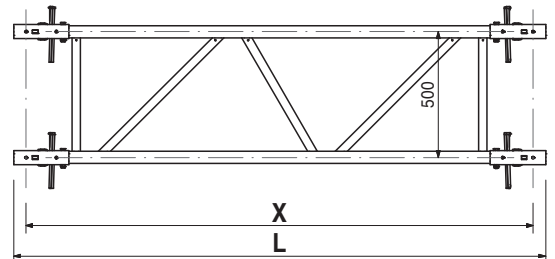
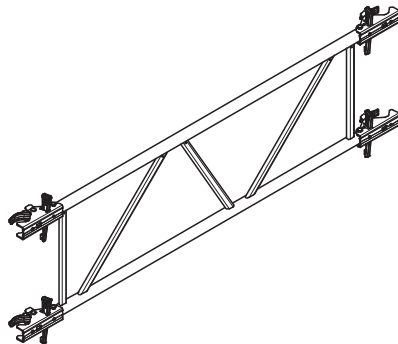


112718	15,300
111815	15,400
112788	15,600
111816	16,200
111817	16,300
111818	17,700
111819	18,600

**PEP Frame PRK, aluminium**  
**PEP Frame PRK 200**  
**PEP Frame PRK 201,5**  
**PEP Frame PRK 210**  
**PEP Frame PRK 225**  
**PEP Frame PRK 230**  
**PEP Frame PRK 266**  
**PEP Frame PRK 296**

L	X
2098	2000
2113	2015
2198	2100
2348	2250
2398	2300
2758	2660
3058	2960

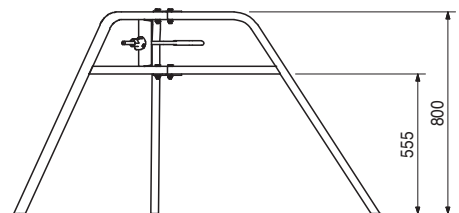
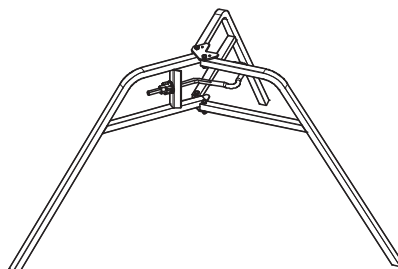
Bracing frame for PEP slab props. With captive wedge coupling.



028000	9,170
--------	-------

**Universal Tripod, galv.**

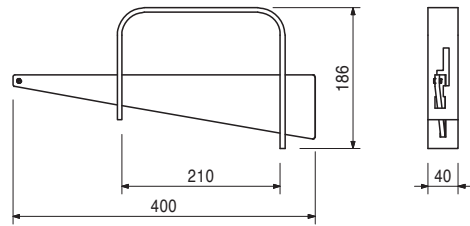
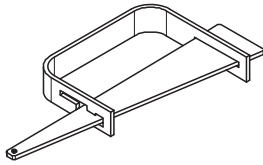
Forming aid for slab props with  $\varnothing$  48 - 120 mm.  
 Can also be used in combination with MULTIPROPS and Base MP 50.



Item no.	Weight kg
027940	1,840

**Brace Clamp, galv.**

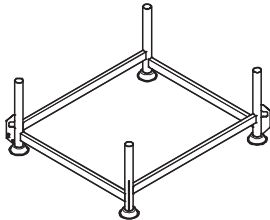
For fixing bracing boards 30 x 150 mm to slab props with Ø 48 - 76 mm.



106939	20,100
--------	--------

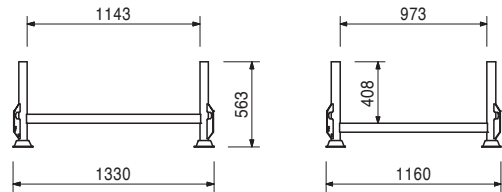
**Pallet RP 110 x 125, painted**

For stacking and transporting of formwork- and scaffold components.



**Safety instructions**

Follow Instructions for Use! Load-carrying equipment according to BGR 500. Permissible load capacity 0.75 t.













**01 PERI GmbH**  
 Rudolf-Diesel-Strasse  
 89264 Weissenhorn  
 info@peri.com  
 www.peri.com



**02 France**  
 PERI S.A.S.  
 77109 Meaux Cedex  
 peri.sas@peri.fr  
 www.peri.fr

**03 Switzerland**  
 PERI AG  
 8472 Ohringen  
 info@peri.ch  
 www.peri.ch

**04 Spain**  
 PERI S.A.  
 28110 Algete - Madrid  
 info@peri.es  
 www.peri.es

**05 Belgium/Luxembourg**  
 N.V. PERI S.A.  
 1840 Londerzeel  
 info@peri.be  
 www.peri.be

**06 Netherlands**  
 PERI B.V.  
 5480 AH-Schijndel  
 info@peri.nl  
 www.peri.nl

**07 USA**  
 PERI Formwork Systems, Inc.  
 Elkridge, MD 21075  
 info@peri-usa.com  
 www.peri-usa.com

**08 Indonesia**  
 PT Beton Perkasa Wijaksana  
 Jakarta 10210  
 bpw@betonperkasa.com  
 www.peri.com

**09 Italy**  
 PERI S.p.A.  
 20060 Basiano  
 info@peri.it  
 www.peri.it

**10 Japan**  
 PERI Japan K.K.  
 Tokyo 103-0015  
 info@perijapan.jp  
 www.perijapan.jp

**11 United Kingdom/Ireland**  
 PERI Ltd.  
 Rugby, CV23 0AN  
 info@peri.ltd.uk  
 www.peri.ltd.uk

**12 Turkey**  
 PERI Kalıp ve İskeleleri  
 Esenyurt / İstanbul 34510  
 info@peri.com.tr  
 www.peri.com.tr

**13 Hungary**  
 PERI Kft.  
 1181 Budapest  
 info@peri.hu  
 www.peri.hu

**14 Malaysia**  
 PERI Formwork Malaysia  
 Sdn. Bhd.  
 43300 Seri Kembangan,  
 Selangor Darul Ehsan  
 info@perimalaysia.com  
 www.perimalaysia.com

**15 Singapore**  
 PERI ASIA Pte. Ltd  
 Singapore 387355  
 pha@periasia.com  
 www.periasia.com

**16 Austria**  
 PERI Ges.mbh  
 3134 Nußdorf ob der Traisen  
 office@peri.at  
 www.peri.at

**17 Czech Republic**  
 PERI spol. s r.o.  
 252 42 Jesenice u Prahy  
 info@peri.cz  
 www.peri.cz

**18 Denmark**  
 PERI Danmark A/S  
 2670 Greve  
 peri@peri.dk  
 www.peri.dk

**19 Finland**  
 PERI Suomi Ltd. Oy  
 05460 Hyvinkää  
 info@perisuomi.fi  
 www.perisuomi.fi

**20 Norway**  
 PERI Norge AS  
 3036 Drammen  
 info@peri.no  
 www.peri.no

**21 Poland**  
 PERI Polska Sp. z o.o.  
 05-860 Płochocin  
 info@peri.pl.pl  
 www.peri.pl.pl

**22 Sweden**  
 PERIform Sverige AB  
 30013 Halmstad  
 peri@periform.se  
 www.periform.se

**23 Korea**  
 PERI (Korea) Ltd.  
 Seoul 135-080  
 info@perikorea.com  
 www.perikorea.com

**24 Portugal**  
 PERIcofragens Lda  
 2790-326 Queijas  
 info@peri.pt  
 www.peri.pt

**25 Argentina**  
 PERI S.A.  
 B1625GPA Escobar – Bs. As.  
 info@peri.com.ar  
 www.peri.com.ar

**26 Brazil**  
 PERI Formas e  
 Escoramentos Ltda.  
 Vargem Grande Paulista  
 São Paulo  
 info@peribrasil.com.br  
 www.peribrasil.com.br

**27 Chile**  
 PERI Chile Ltda.  
 Colina, Santiago de Chile  
 peri.chile@peri.cl  
 www.peri.cl

**28 Romania**  
 PERI România SRL  
 077015 Balotești  
 info@peri.ro  
 www.peri.ro

**29 Slovenia**  
 PERI Slovenien  
 2000 Maribor  
 peri.slo@triera.net  
 www.peri.com

**30 Slovakia**  
 PERI spol. s r.o.  
 903 01 Senec  
 info@peri.sk  
 www.peri.sk

**31 Australia**  
 PERI Australia Pty. Ltd.  
 Glendenning NSW 2761  
 info@periaus.com.au  
 www.periaus.com.au

**32 Estonia**  
 PERI AS  
 76406 Saku vald  
 Harjumaa  
 peri@peri.ee  
 www.peri.ee

**33 Greece**  
 PERI Hellas Ltd.  
 194 00 Koropi  
 info@perihellas.gr  
 www.perihellas.gr

**34 Latvia**  
 PERI SIA  
 2118 Salaspils novads,  
 Rīgas rajons  
 info@peri-latvija.lv  
 www.peri-latvija.lv

**35 United Arab Emirates**  
 PERI (L.L.C.)  
 Dubai  
 perillc@perime.com  
 www.perime.com



- 36 Canada**  
PERI Formwork Systems, Inc.  
Bolton, ON – L7E 1K1  
info@peri.ca  
www.peri.ca
- 37 Lebanon**  
Lebanon Representative Office  
Jdeideh  
lebanon@peri.de  
www.peri.de
- 38 Lithuania**  
PERI UAB  
02300 Vilnius  
info@peri.lt  
www.peri.lt
- 39 Morocco**  
PERI S.A.  
Tanger  
peri25@menara.ma  
www.peri.com
- 40 Israel**  
PERI Formwork  
Engineering Ltd  
Petach Tikva, 49002  
info@peri.co.il  
www.peri.co.il
- 41 Bulgaria**  
PERI Bulgaria EOOD  
1839 Sofia  
peri.bulgaria@peri.bg  
www.peri.bg
- 42 Iceland**  
Armar ehf.  
220 Hafnarfjörður  
www.armor.is
- 43 Kazakhstan**  
TOO PERI Kazakhstan  
050014 Almaty  
peri@peri.kz  
www.peri.kz
- 44 Russian Federation**  
OOO PERI  
142407, Noginsk District  
moscow@peri.ru  
www.peri.ru
- 45 South Africa**  
Wiehahn Formwork and  
Scaffolding (Pty) Ltd.  
7600 Stellenbosch  
info@wiehahn.co.za  
www.wiehahn.co.za
- 46 Ukraine**  
TOW PERI Ukraina  
07400 Brovary  
peri@peri.ua  
www.peri.ua
- 47 Egypt**  
Egypt Branch Office  
11361 Heliopolis / Cairo  
info@peri.com.eg  
www.peri.com.eg
- 48 Serbia**  
PERI Oplate d.o.o.  
11272 Dobanovci  
office@peri.rs  
www.peri.rs
- 49 Mexico**  
PERI Cimbras y Andamios,  
S.A. de C.V.  
Estado de México,  
info@peri.com.mx  
www.peri.com.mx
- 50 Azerbaijan**  
PERI Kalıp ve İskeleleri  
Baku  
peribaku@peri.com.tr  
www.peri.com.tr
- 51 Turkmenistan**  
PERI Kalıp ve İskeleleri  
Aşgabat  
ahmet.kadioglu@peri.com.tr  
www.peri.com.tr
- 52 Belorussia**  
PERI Belarus  
220030 Minsk  
info@peri.by  
www.peri.com
- 53 Croatia**  
PERI oplate i skele d.o.o.  
10 250 Donji Stupnik/  
Zagreb  
info@peri.com.hr  
www.peri.com.hr
- 54 Iran**  
PERI GmbH  
Iran Branch Office  
Tehran  
info@peri.ir  
www.peri.ir
- 55 India**  
PERI (India) Pvt Ltd  
Mumbai – 400064  
info@peri.in  
www.peri.in
- 56 Jordan**  
PERI GmbH - Jordan  
11947 Amman  
jordan@peri.com  
www.peri.com
- 57 Kuwait**  
PERI Kuwait  
13011 Kuwait  
kuwait@peri.com  
www.peri.com
- 58 Saudi Arabia**  
PERI Engineering  
Division of Jamjoom  
Consult Saudi Arabia  
21463 Jeddah  
info@peri.com.sa  
www.peri.com.sa
- 59 Qatar**  
PERI Qatar LLC  
P.O.Box: 31295 - Doha  
info@periqatar.com  
www.periqatar.com
- 60 Algeria**  
Société PERI S.A.S.  
Kouba - Alger  
peri.alger@peri.fr  
www.peri.fr
- 61 Albania**  
PERI Sh.p.k.  
Tirane  
erti.hasanaj@peri.com.tr  
www.peri.com.tr
- 62 Peru**  
PERI Peruana SAC  
Chorrillos, Lima  
contacto@peri.com.pe  
www.peri.com.pe
- 63 Panama**  
PERI Panama Inc.  
0832-00155 Panama City  
info@peri.com.pa  
www.peri.com.pa
- 64 Angola**  
PERIcofragens, Lda.  
Luanda  
renato.portugal@peri.pt  
www.peri.pt
- 65 Nigeria**  
Heights Access Nigeria Ltd.  
Victoria Island, Lagos  
info@heightsaccessng.com  
www.heightsaccessng.com
- 66 Oman**  
PERI (L.L.C.)  
Muscat  
perimct@perime.com  
www.perime.com

# PERI Product Range



## Wall Formwork

Panel Formwork  
Girder Formwork  
Circular Formwork  
Facade Formwork  
Brace Frame



## Climbing Systems

Climbing Scaffold  
Self-Climbing System  
Climbing Protection Panel  
Platform Systems



## Column Formwork

Square  
Rectangular  
Circular



## Scaffold, Stairways, Working Platforms

Facade Scaffold  
Working Platform  
Weather Protection Roof  
Stairway Access



## Slab Formwork

Panel Formwork  
Beam Grid Formwork  
Girder Formwork  
Slab Table  
Beam Formwork



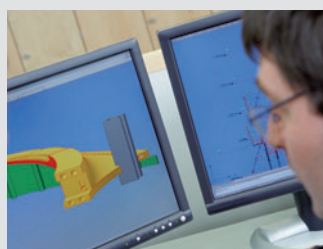
## Bridge and Tunnel Formwork

Cantilevered Parapet Carriage  
Cantilevered Parapet Platform  
Engineer's Construction Kit



## Shoring Systems

Steel Slab Props  
Aluminium Slab Props  
Tower Systems  
Heavy-Duty Props



## Services

Formwork Assembly  
Cleaning / Repairs  
Formwork Planning  
Software  
Statics  
Special Constructions

## Additional Systems

Safety Systems  
Plywood  
Formwork Girders  
Stopead Systems  
Pallets  
Transportation Containers



## PERI GmbH

### Formwork Scaffolding Engineering

P.O. Box 1264  
89259 Weissenhorn  
Germany  
Tel. +49 (0)7309.950-0  
Fax +49 (0)7309.951-0  
info@peri.com  
www.peri.com