

PEP 10 Slab Props

The lightweight Slab Props
with matching Accessories



PERI PEP 10 Slab Props

Light in weight for simple forming

The design of the PEP 10 props from PERI follow the Euronorm.

Load-bearing capacity

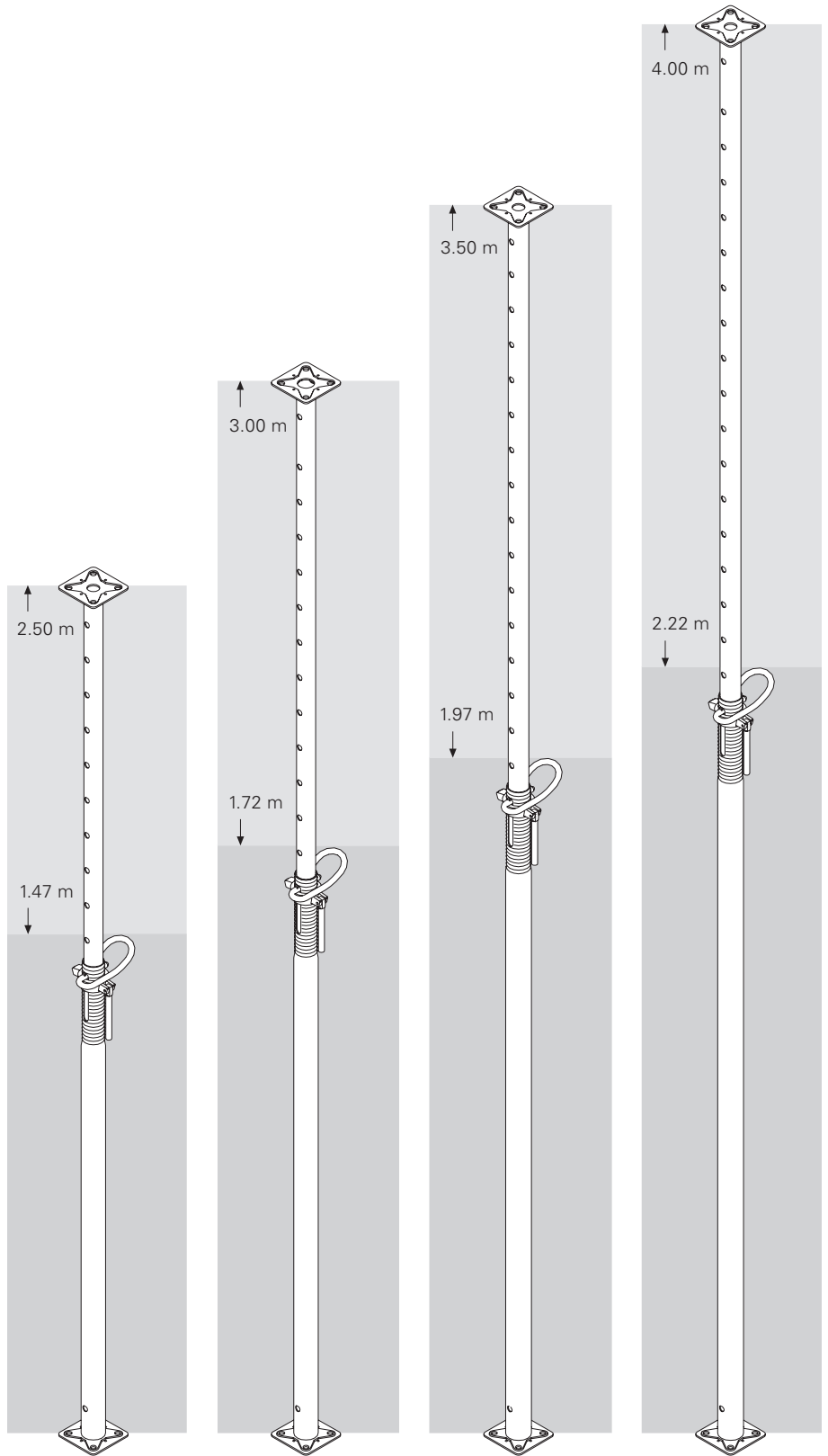
The PERI PEP 10 props conform to Class A of DIN EN 1065.

Durability

Hot-dip galvanizing of the PEP 10 increases durability compared to varnished slab props.



PERI 10-250 A, L = 1.47 m - 2.50 m
weighs only 10.1 kg and carries
max. 25 kN. This makes the work
easy and tireless.



<p>PEP 10-250 A L = 1.47 – 2.50 m Weight: 10.1 kg</p>	<p>PEP 10-300 A L = 1.72 – 3.00 m Weight: 11.5 kg</p>	<p>PEP 10-350 A L = 1.97 – 3.50 m Weight: 13.4 kg</p>	<p>PEP 10-400 A L = 2.22 – 4.00 m Weight: 14.9 kg</p>
--	--	--	--

PERI PEP 10

Perfected details and advantages for easy handling

Low injury risk

due to built in safety clearances.

Stamped measuring scale

for faster adjustment of the prop lengths.

Good handling

by ergonomically shaped, seize-proof G hook.

Generous adjustment range

of 120 mm makes repeated hooking unnecessary.

High-quality cast steel nut

with reinforced hammer blow nib in the lowering direction.

Further important details:

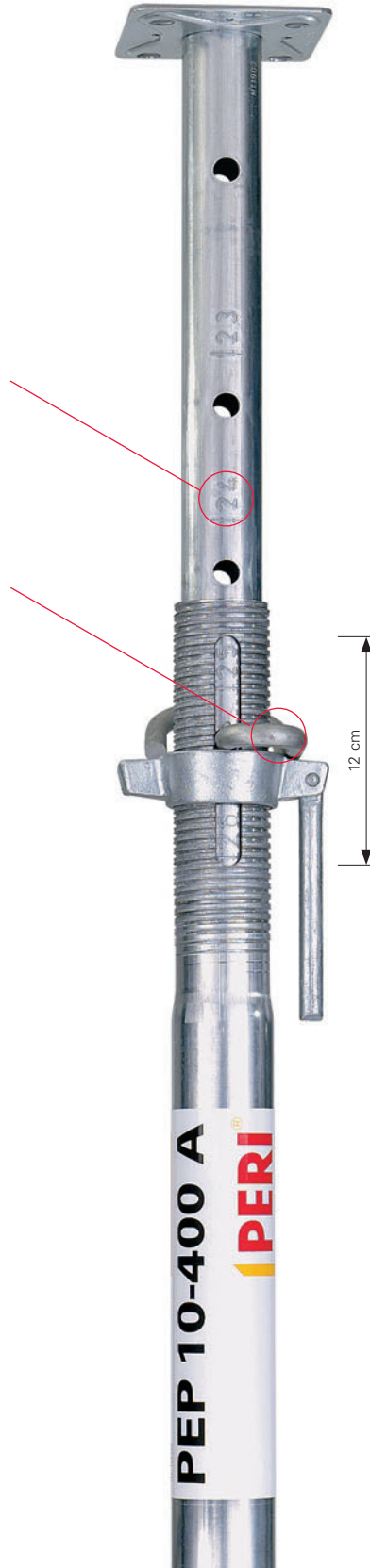
Low weight

for easy handling.

Built-in safety stop preventing the inner tube from sliding out

Accessories

matching the prop.



Adjusting nut with reinforced hammer blow nib in the lowering direction.

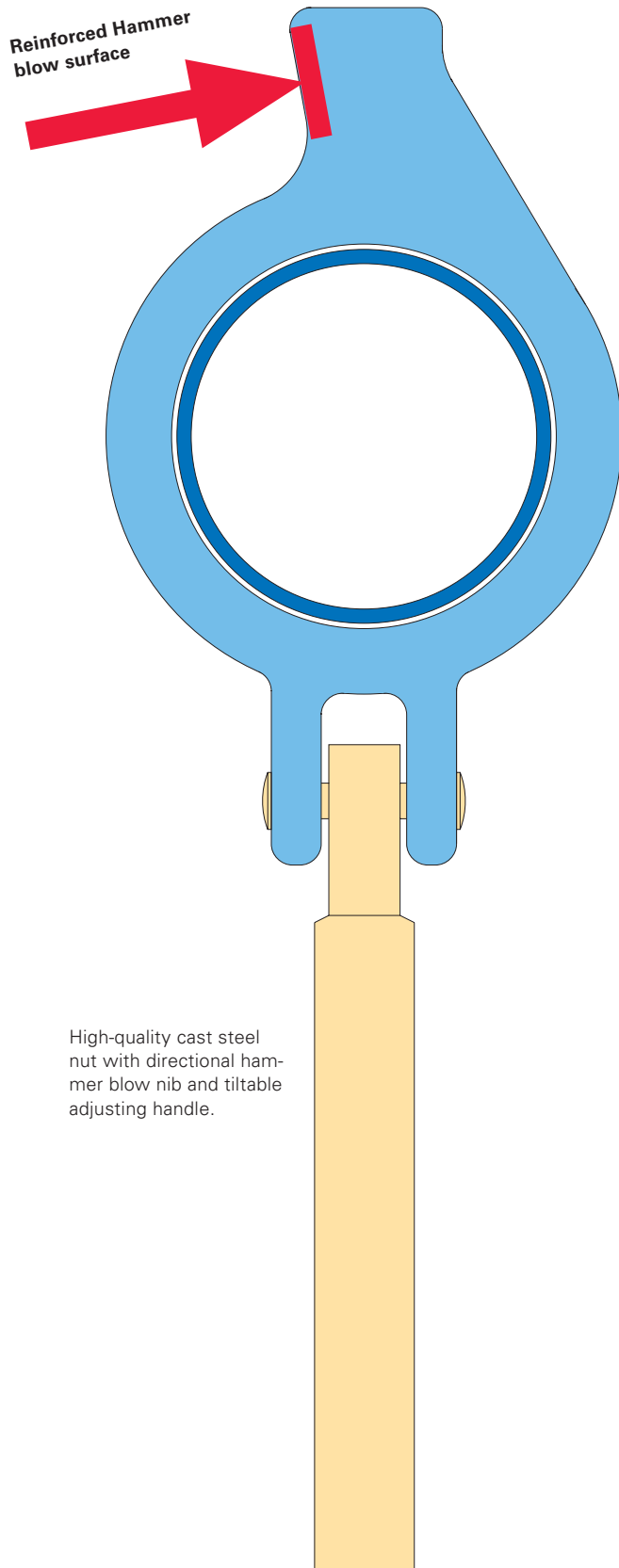
The shape of the adjusting nut has a distinctive reinforced hammer blow surface in the lowering direction providing the correct turning direction for releasing the loads.



Lowering with the directional adjusting nut, easy on the materials.



The tiltable adjusting handle makes handling of the PERI PEP 10 props easy.

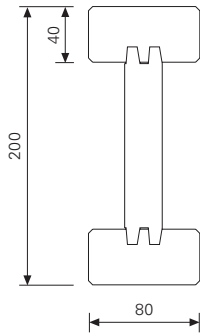


PERI PEP 10

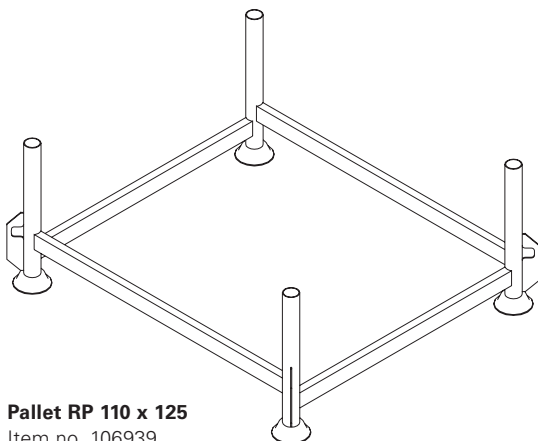
Accessories for quick and simple forming

The VT 20 is a solid web girder with a highly-compressed web.

Due to the high proportion of synthetic resin, the VT girder maintains its high level of dimensional stability. It has been specially developed for use in slab formwork and is a low-price option for thinner slabs.



Crosshead PEP 10 / VT 20, galv.
Item no. 106988



Pallet RP 110 x 125
Item no. 106939



Tripod PEP 10, galv.
Item no. 107152

Crosshead PEP 10 / VT 20

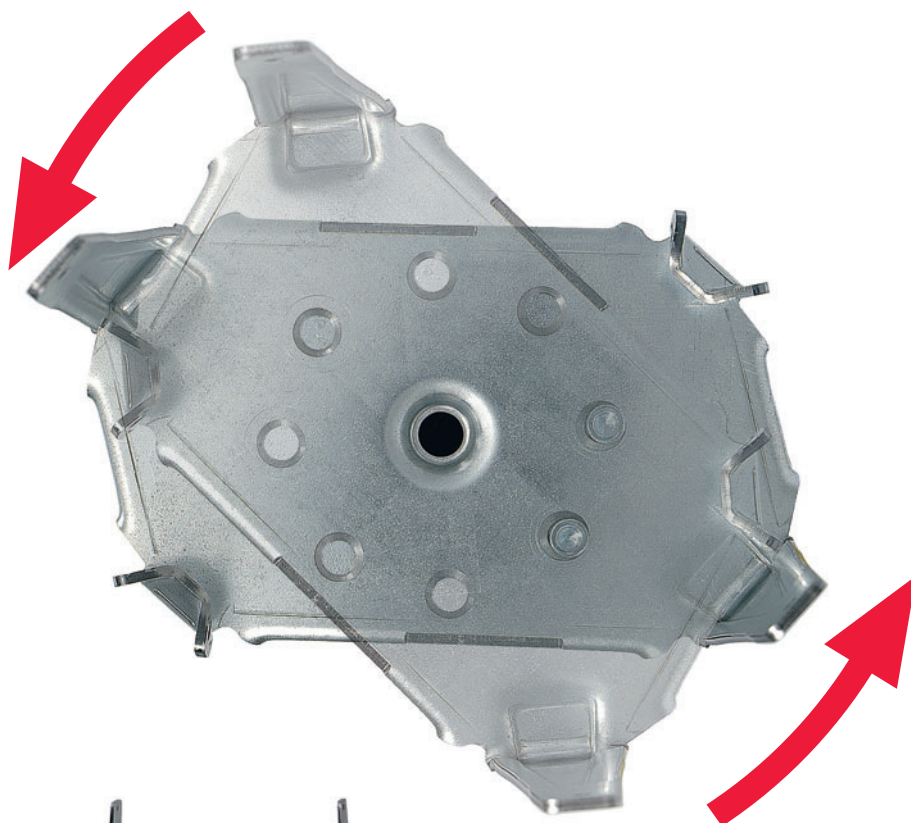
Light and designed for fast assembly on PEP 10 props.



For the support of a VT 20 as a main girder.



For the support of two VT 20 as main girders and/or for overlapping joints.



The crosshead PEP 10 / VT 20 is placed on the prop and turned.

The self-locking mechanism automatically fastens the crosshead.

MULTIFLEX

VT 20 used as Slab Girder

Slab Thickness [m]		0.10			0.12			0.14			0.16			0.18			0.20		
Load q* [kN/m²]		4.5			5.0			5.5			6.1			6.6			7.1		
Sec. Girder Spacing a [m]		0.75	0.625	0.50	0.75	0.625	0.50	0.75	0.625	0.50	0.75	0.625	0.50	0.75	0.625	0.50	0.75	0.625	0.50
Prop Spacing c [m]	0.60	3.10	3.30	3.55	2.94	3.13	3.37	2.81	2.99	3.22	2.70	2.87	3.09	2.60	2.77	2.98	2.52	2.68	2.89
		8.4	8.9	9.6	8.9	9.4	10.1	9.3	9.9	10.7	9.8	10.4	11.2	10.3	10.9	11.8	10.7	11.4	12.3
	0.90	3.10	3.30	3.55	2.94	3.13	3.37	2.81	2.99	3.22	2.70	2.87	3.09	2.60	2.77	2.98	2.52	2.68	2.89
		12.6	13.4	14.4	13.3	14.1	15.2	14.0	14.9	16.0	14.7	15.6	16.9	15.4	16.4	17.7	16.1	17.1	18.4
	1.20	3.10	3.30	3.55	2.94	3.13	3.37	2.81	2.99	3.22	2.70	2.87	3.03	2.60	2.77	2.79	2.52	2.58	2.58
		16.8	17.8	19.2	17.7	18.8	20.3	18.7	19.9	21.4	19.6	20.9	20.6	21.8	22.0	21.5	22.0	22.0	22.0
	1.50	3.10	3.26	3.26	2.92	2.92	2.92	2.65	2.65	2.65	2.42	2.42	2.42	2.23	2.23	2.23	2.07	2.07	2.07
		21.0	22.0	22.0	22.0	22.0	22.0	22.0	22.0	22.0	22.0	22.0	22.0	22.0	22.0	22.0	22.0	22.0	22.0
	1.80	2.50	2.50	2.50	2.24	2.24	2.24	2.03	2.03	2.03	1.86	1.86	1.86	1.71	1.71	1.71	1.59	1.59	1.59
		22.0	22.0	22.0	22.0	22.0	22.0	22.0	22.0	22.0	22.0	22.0	22.0	22.0	22.0	22.0	22.0	22.0	22.0
	2.10	1.91	1.91	1.91	1.71	1.71	1.71	1.55	1.55	1.55	1.42	1.42	1.42	1.30	1.30	1.30	1.21	1.21	1.21
		22.0	22.0	22.0	22.0	22.0	22.0	22.0	22.0	22.0	22.0	22.0	22.0	22.0	22.0	22.0	22.0	22.0	22.0
	2.40	1.54	1.54	1.54	1.38	1.38	1.38	1.25	1.25	1.25	1.15	1.15	1.15	1.06	1.06	1.06	0.98	0.98	0.98
		22.0	22.0	22.0	22.0	22.0	22.0	22.0	22.0	22.0	22.0	22.0	22.0	22.0	22.0	22.0	22.0	22.0	22.0

Slab Thickness [m]		0.22			0.24			0.26			0.28			0.30			0.35	
Load q* [kN/m²]		7.6			8.1			8.7			9.2			9.8			11.3	
Sec. Girder Spacing a [m]		0.75	0.625	0.50	0.625	0.50	0.40	0.625	0.50	0.40	0.625	0.50	0.40	0.625	0.50	0.40	0.50	0.40
Prop Spacing c [m]	0.60	2.45	2.60	2.80	2.53	2.73	2.94	2.47	2.66	2.86	2.41	2.60	2.80	2.36	2.54	2.74	2.42	2.61
		11.2	11.9	12.8	12.4	13.3	14.3	12.8	13.8	14.9	13.3	14.3	15.4	13.8	14.9	16.0	16.4	17.7
	0.90	2.45	2.60	2.80	2.53	2.73	2.94	2.47	2.66	2.82	2.41	2.60	2.66	2.36	2.50	2.50	2.16	2.16
		16.8	17.8	19.2	18.5	20.0	21.5	19.2	20.7	22.0	19.9	21.5	22.0	20.7	22.0	22.0	22.0	22.0
	1.20	2.41	2.41	2.41	2.25	2.25	2.25	2.12	2.12	2.12	2.00	2.00	2.00	1.88	1.88	1.88	1.62	1.62
		22.0	22.0	22.0	22.0	22.0	22.0	22.0	22.0	22.0	22.0	22.0	22.0	22.0	22.0	22.0	22.0	22.0
	1.50	1.92	1.92	1.92	1.80	1.80	1.80	1.69	1.69	1.69	1.60	1.60	1.60	1.50	1.50	1.59	1.30	1.30
		22.0	22.0	22.0	22.0	22.0	22.0	22.0	22.0	22.0	22.0	22.0	22.0	22.0	22.0	22.0	22.0	22.0
	1.80	1.48	1.48	1.48	1.38	1.38	1.38	1.30	1.30	1.30	1.23	1.23	1.23	1.15	1.15	1.15	1.00	1.00
		22.0	22.0	22.0	22.0	22.0	22.0	22.0	22.0	22.0	22.0	22.0	22.0	22.0	22.0	22.0	22.0	22.0
	2.10	1.13	1.13	1.13	1.05	1.05	1.05	0.99	0.99	0.99	0.93	0.93	0.93	0.88	0.88	0.88	0.76	0.76
		22.0	22.0	22.0	22.0	22.0	22.0	22.0	22.0	22.0	22.0	22.0	22.0	22.0	22.0	22.0	22.0	22.0
	2.40	0.91	0.91	0.91	0.85	0.85	0.85	0.80	0.80	0.80	0.76	0.76	0.76	0.71	0.71	0.71	0.61	0.61
		22.0	22.0	22.0	22.0	22.0	22.0	22.0	22.0	22.0	22.0	22.0	22.0	22.0	22.0	22.0	22.0	22.0

Slab Thickness [m]		0.40		0.45		0.50	
Load q* [kN/m²]		12.9		14.4		16.0	
Sec. Girder Spacing a [m]		0.50	0.40	0.50	0.40	0.50	0.40
Prop Spacing c [m]	0.60	2.32	2.50	2.23	2.40	2.16	2.29
		17.9	19.3	19.3	20.8	20.7	22.0
	0.90	1.90	1.90	1.69	1.69	1.53	1.53
		22.0	22.0	22.0	22.0	22.0	22.0
	1.20	1.42	1.42	1.27	1.27	1.15	1.15
		22.0	22.0	22.0	22.0	22.0	22.0
	1.50	1.14	1.14	1.02	1.02	0.92	0.92
		22.0	22.0	22.0	22.0	22.0	22.0
	1.80	0.87	0.87	0.78	0.78	0.70	0.70
		22.0	22.0	22.0	22.0	22.0	22.0
	2.10	0.67	0.67	0.59	0.59	0.54	0.54
		22.0	22.0	22.0	22.0	22.0	22.0
	2.40	0.54	0.54	0.48	0.48	0.43	0.43
		22.0	22.0	22.0	22.0	22.0	22.0

***Load according to DIN 4421:**

Dead load $g = 0.40 \text{ kN/m}^2$

Concrete load $b = 26 \text{ kN/m}^3 \times d \text{ (m)}$

Live load $p = 0.20 \times b$
 $1.5 \leq p \leq 5.0 \text{ kN/m}^2$

Total load $q = g + b + p$

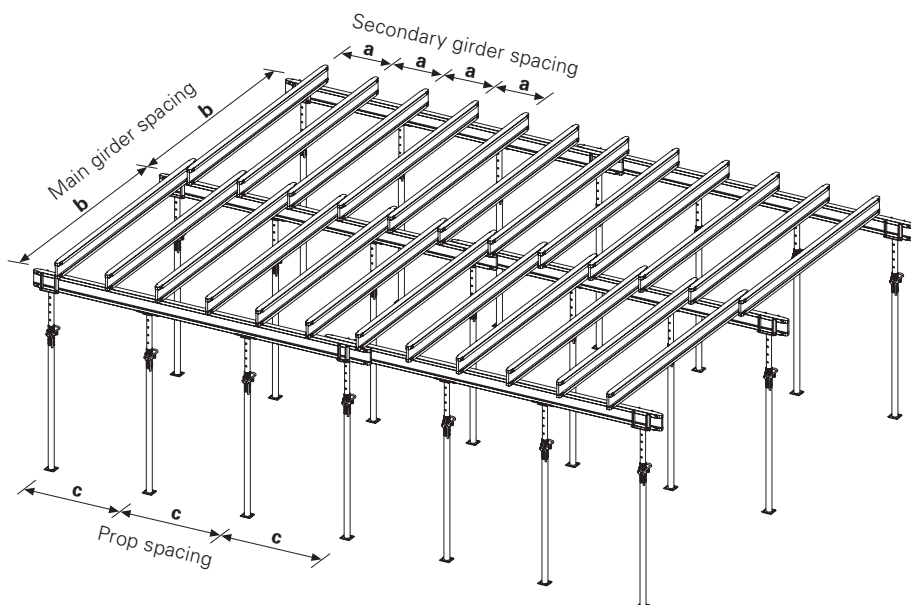
The deflection has been limited to $l/500$. Secondary girder assumed as single span.

Table values mean the following:

2.25 perm. main girder spacing b [m]

22.0 actual prop load [kN]

Girder Lengths [m]	Item no.
1.45	074990
2.15	074905
2.45	074910
2.65	074890
2.90	074920
3.30	074930
3.60	074940
3.90	074950
4.50	074960
4.90	074970
5.90	074980



Slab Props

PEP 10

Permissible Prop Load [kN] according to DIN EN 1065

Extension Length [m]	PEP 10 – 250 A L = 1.47 – 2.50 m [kN]	PEP 10 – 300 A L = 1.72 – 3.00 m [kN]	PEP 10 – 350 A L = 1.97 – 3.50 m [kN]	PEP 10 – 400 A L = 2.22 – 4.00 m [kN]
1.50	25.0			
1.60	25.0			
1.70	25.0			
1.80	23.1	25.0		
1.90	20.8	24.9		
2.00	18.8	22.5	25.0	
2.10	17.0	20.4	23.8	
2.20	15.5	18.6	21.7	
2.30	14.2	17.0	19.8	22.7
2.40	13.0	15.6	18.2	20.8
2.50	12.0	14.4	16.8	19.2
2.60		13.3	15.5	17.8
2.70		12.3	14.4	16.5
2.80		11.5	13.4	15.3
2.90		10.7	12.5	14.3
3.00		10.0	11.7	13.3
3.10			10.9	12.5
3.20			10.3	11.7
3.30			9.6	11.0
3.40			9.1	10.4
3.50			8.6	9.8
3.60				9.3
3.70				8.8
3.80				8.3
3.90				7.9
4.00				7.5

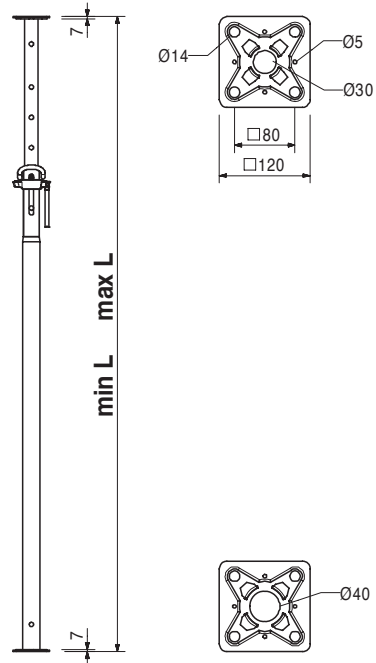
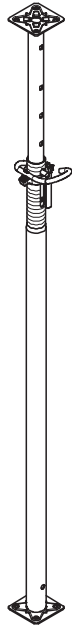
Note:

The values are valid for the application outer- or inner tube at the bottom.

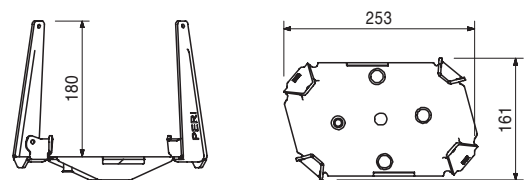
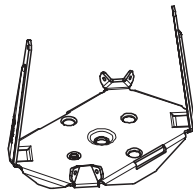
Item no.	Weight kg		min. L	max. L
106434	10,100	Prop PEP 10	1470	2500
106433	11,500	Prop PEP 10-250 A, galv.	1720	3000
106432	13,400	Prop PEP 10-350 A, galv.	1970	3500
106429	14,900	Prop PEP 10-400 A, galv.	2220	4000

Leightweight slab prop made of steel.

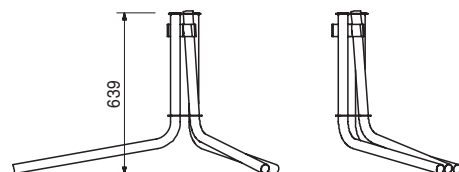
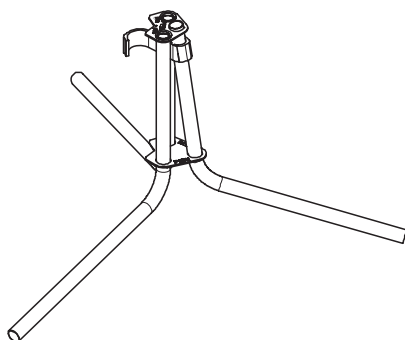
Note
Permissible load see PERI Design Tables.



106989	1,430	Crosshead PEP 10 / VT 20, galv. For stable support for single or twin VT 20 Girders. With self-locking coupling.
--------	-------	---



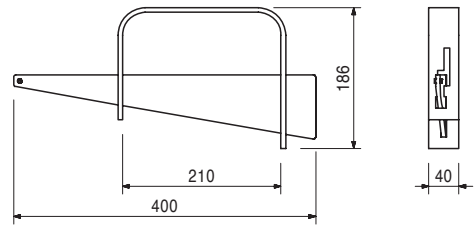
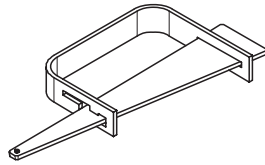
107152	5,810	Tripod PEP 10, galv. Used as an assembly aid for PEP 10 Slab Props with Ø 44 - 64 mm.
--------	-------	--



Item no.	Weight kg
027940	1,840

Brace Clamp, galv.

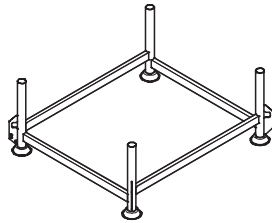
For fixing bracing boards 30 x 150 mm to slab props with Ø 48 - 76 mm.



106939	20,100
--------	--------

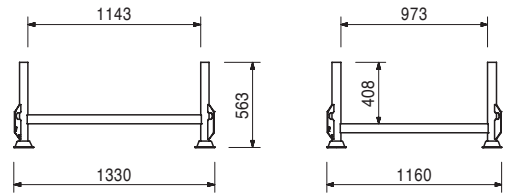
Pallet RP 110 x 125, painted

For stacking and transporting of formwork- and scaffold components.



Safety instructions

Follow Instruction for Use! Load-carrying equipment according to BGR 500. Permissible load capacity 0.75 t.





01 PERI GmbH
Rudolf-Diesel-Strasse
34-36 rue des Frères Lumière
89264 Weissenhorn
info@peri.de
www.peri.de



02 France
PERI S.A.S.
Zone Industrielle Nord
34-36 rue des Frères Lumière
77109 Meaux Cedex
peri.sas@peri.fr
www.peri.fr

03 Switzerland
PERI AG
Aspstraße 17
8472 Ohringen
info@peri.ch
www.peri.ch

04 Spain
PERI S.A. Sociedad
Unipersonal
Ctra. Paracuellos -
Fuente el Saz km. 18,9
Cno. de Malatones, km. 0,5
28110 Algete/Madrid
info@peri.es
www.peri.es

05 Belgium/Luxembourg
N.V. PERI S.A.
Industriepark
Nijverheidsstraat 6 PB 54
1840 Londerzeel
info@peri.be
www.peri.be

06 Netherlands
PERI B.V.
v. Leeuwenhoekweg 23
Postbus 304
5480 AH-Schijndel
info@peri.nl
www.peri.nl

07 USA
PERI Formwork Systems, Inc.
7135 Dorsey Run Road
Elkridge, MD 21075
info@peri-usa.com
www.peri-usa.com

08 Indonesia
PT Beton Perkasa Wijaksana
P.O. Box 3737
Jakarta 10210
bpw@betonperkasa.com
www.peri.de

09 Italy
PERI S.p.A.
Via G. Pascoli, 4
20060 Basiglio (MI)
info@peri.it
www.peri.it

10 Japan
PERI Japan K.K.
7F Hakozaki 314 Building,
31-4 Hakozaki-cho,
Nihonbashi Chuo-ku
Tokyo 103-0015
info@perijapan.jp
www.perijapan.jp

11 United Kingdom/Ireland
PERI Ltd.
Market Harborough Road
Clifton upon Dunsmore
Rugby, CV23 0AN
info@peri.ltd.uk
www.peri.ltd.uk

12 Turkey
PERI Kalip ve İskeleleri
San. ve Tic. Ltd. Sti.
Çakmaklı Mahallesi
Akçaburgaz Cad.
72. Sokak No: 23
Kıraç - Büyükköycece/İstanbul 34500
info@peri.com.tr
www.peri.com.tr

13 Hungary
PERI Kft.
Zádor u. 4.
1181 Budapest
info@peri.hu
www.peri.hu

14 Malaysia
PERI Formwork Malaysia
Sdn. Bhd.
Unit 19-07-4, Level 7
PNB Damansara
19 Lorong Dungun
Damansara Heights
50490 Kuala Lumpur
info@perimalaysia.com
www.perimalaysia.com

15 Singapore
PERI ASIA Pte. Ltd
Formwork Pte. Ltd.
No. 1 Sims Lane # 06-10
Singapore 387355
pha@periasia.com
www.periasia.com

16 Austria
PERI Ges.mbh
Traisenstraße 3
3134 Nußdorf ob der Traisen
office@peri.at
www.peri.at

17 Czech Republic
PERI spol. s r.o.
Průmyslová 392
252 42 Jesenice
info@peri.cz
www.peri.cz

18 Denmark
PERI Danmark A/S
forskalling og stillads
Greve Main 26
2670 Greve
peri@peri.dk
www.peri.dk

19 Finland
PERI Suomi Ltd. Oy
Hakakalliontie 5
05460 Hyvinkää
info@perisuomi.fi
www.perisuomi.fi

20 Norway
PERI NORGE AS
Dråpen 9
3036 Drammen
info@peri.no
www.peri.no

21 Poland
PERI Polska Sp. z o.o.
ul. Stoleczna 62
05-860 Plochocin
info@peri.pl.pl
www.peri.pl.pl

22 Sweden
PERIform SVERIGE AB
Montörgatan 4-6
Box 9073
30013 Halmstad
peri@periform.se
www.periform.se

23 Korea
PERI (Korea) Ltd.
8-9th Fl., Yuseong Bldg.
830-67, Yeoksam-dong,
Kangnam-ku,
Seoul 135-080
info@perikorea.com
www.perikorea.com

24 Portugal
PERIcofragens Lda.
Cofragens e Andaimes
Rua Cesário Verde,
nº 5 - 3º Esq.
Linda-a-Pastora
2790-326 Queijas
info@peri.pt
www.peri.pt

25 Argentina
PERI S.A.
Ruta Nacional N°. 9, km 47,5
(Panamericana Ramal Escobar)
(1625) Escobar/Prov. Bs. As.
info@peri.com.ar
www.peri.com.ar

26 Brazil
PERI Formas e
Escoramentos Ltda.
Rodovia Raposo Tavares,
km 41
Colinas Bandeirante
CEP 06730-000
Vargem Grande Paulista
São Paulo
info@peribrasil.com.br
www.peribrasil.com.br

27 Chile
PERI Chile Ltda.
C/José de San Martín N° 104
Parque Industrial Los
Libertadores
Colina, Santiago de Chile
perich@peri.cl
www.peri.cl

28 Romania
PERI România SRL
Calea Bucureşti nr. 2B
077015 Baloteşti - ILFOV
info@peri.ro
www.peri.ro

29 Slovenia
PERI SLOWENIEN
Goran Opalic
Obrežna 137
2000 Maribor
peri.slo@triera.net
www.peri.de

30 Slovakia
PERI spol. s r.o.
Šamorínska 18
903 01 Senec
info@peri.sk
www.peri.sk

31 Australia
PERI Australia Pty. Ltd.
116 Glendenning Road
Glendenning NSW 2761
info@periaus.com.au
www.periaus.com.au

32 Estonia
PERI AS
Valdmäe 8
Taanassilma Tehnospark
76401 Saku vald
Harjumaa
peri@peri.ee
www.peri.ee



- 33 Greece**
PERI Hellas Ltd.
Sokratous Str.
5th kil. Koropi-Varis Ave.
P. O. Box 407
194 00 Koropi
info@perihellas.gr
www.perihellas.gr
- 34 Latvia**
PERI SIA
Granita 26
1057 Riga
info@peri-latvija.lv
www.peri-latvija.lv
- 35 United Arab Emirates**
PERI (L.L.C.)
Brashy Building,
Office No. 212
Shk. Zayed Road
P.O. Box 27933
Dubai
perillc@perime.com
www.perime.com
- 36 Canada**
PERI Formwork Systems, Inc.
45 Nixon Road
Bolton, Ontario
L7E 1K1
info@peri.ca
www.peri.ca
- 37 Libanon**
PERI GmbH
Lebanon Representative
Office
AYA Commercial Center,
7th floor,
Dora Highway,
Beirut
P.O. Box 90 416 Jdeidet
lebanon@peri.de
www.peri.de
- 38 Lithuania**
PERI UAB
Titnago st. 19
02300 Vilnius
info@peri.lt
www.peri.lt
- 39 Marocco**
PERI S.A.
Route de Rabat, km. 5
Piste de Beni Touzine
Tanger
peri25@menara.ma
www.peri.de
- 40 Israel**
PERI Formwork
Engineering Ltd
16 Moshe Dayan st.,
P.O. Box 10202
Petach Tikva,
49002 Israel
info@peri.co.il
www.peri.co.il
- 41 Bulgaria**
PERI BULGARIA EOOD
Kv. Vragdebna
m. Nova Machala Nr. 46
1839 – Sofia
peri.bulgaria@peri.bg
www.peri.bg
- 42 Iceland**
MEST Ltd.,
Fornubudum 5
220 Hafnarfjordur
mest@mest.is
www.mest.is
- 43 Kazakhstan**
TOO PERI Kazakhstan
Rubenstein Street 10
(Corner Dostyk Str. 7)
050010 Almaty
peri@peri.kz
www.peri.kz
- 44 Russian Federation**
OOO PERI
8 Etage, OOO PERI Buro
Krasnaya Presnya Str. 24
123022 Moskau
moscow@peri.ru
www.peri.ru
- 45 South Africa**
PERI Wiehahn (Pty.) Ltd.
P.O. Box 2668
Bellville 7535
ask@wiehahn.co.za
www.periwiehahn.co.za
- 46 Ukraine**
TOW PERI Ukraina
23, M. Raskowa Str., B. 822
02002 Kiew
peri@peri.ua
www.peri.ua
- 47 Egypt**
PERI GmbH
Egypt Branch Office
24 A, Obour Gardens,
4th Floor, apt. # 1
Salah Salem Street
11361 Heliopolis
Cairo
info@peri.com.eg
www.peri.com.eg
- 48 Serbia**
PERI Oplate d.o.o.
Jurija Gagarina 81
11070 Novi Beograd
office@peri.co.yu
www.peri.co.yu
- 49 Mexico**
PERI Cimbras y Andamios,
S.A. de C.V.
Parque de las Américas
KM 3.5 Carretera
Jorobas – Tula
Huehuetoca
Estado de México,
C.P. 54680
info@peri.com.mx
www.peri.com.mx
- 50 Azerbaijan**
PERI Kalıp ve İskeleleri
Baku Branch Office
28 May Küç. Ev 72 Menzil 27
Baku
peribaku@peri.com.tr
www.peri.com.tr
- 51 Turkmenistan**
PERI Kalıp ve İskeleleri
Aşgabat Branch Office
Göroglu Sokak No. 130, Kat 2
744035 Aşgabat
periashgabat@peri.com.tr
www.peri.com.tr
- 52 Belorussia**
PERI Belarus
Pr. Nesawisimosti 11
Kopus-2 Zimmer: 526,528
220030 Minsk
peri@mail.belpak.by
www.peri.com.tr
- 53 Croatia**
PERI oplate i skele d.o.o.
Dolenica 20
10 250 Donji Stupnik/
Zagreb
info@peri.com.hr
www.peri.com.hr
- 54 Iran**
PERI GmbH
Iran Branch Office
Flat 27, Blvd. KAVE,
Building No. 246
P.O. Box 9 3979 3669
Teheran
iran@peri.ir
www.peri.ir
- 55 India**
PERI (India) Pvt Ltd
717 Palm Springs
Palm Court
Malad Link Road
Malad (West)
Mumbai – 400064
info@peri.in
www.peri.in
- 56 Jordan**
PERI Jordan
Saad 5 Center, 4th Floor
Office No. 404
Al Madineh
Al Munawara Street
P.O. Box 367
11947 Amman
jordan@peri.de
www.peri.de
- 57 Kuwait**
PERI Kuwait
Arraya Center, 29th Floor
Al-Shuhada Street, Sharq
P.O. Box 1060 Safat
13011 Kuwait
kuwait@peri.de
www.peri.de
- 58 Saudi Arabia**
PERI Saudi Arabia
33 ALBatraa Street
AL - Shurbatiy Building
AL - Bughdadiyah AL -
Gharbiah Distrect
6th Floor, Flat # 61
P.O. Box 11641
Jeddah
saudi-arabia@peri.de
www.peri.de
- 59 Qatar**
PERI Qatar LLC
P.O. Box 24133
Doha
qatar@peri.de
www.peri.de
- 60 Algeria**
Société PERI S.A.S.
Bureau de liaison d'Alger
50 bis, Route de Gué
de Constantine
Hai El Badr (ex Apreval)
Immeuble FADLI
Kouba - Alger
peri.alger@peri.fr
www.peri.fr
- 61 Albania**
Autostrada TIRANE-DURRES
Km 2 Rr dytesore
ne krah te Vodafonit
Perballe ARDENOS FUSHE -
MEZES TIRANE
Tirane / ALBANIA
info@peri.com.tr
www.peri.com.tr
- 62 Peru**
Av. Defensores del Morro 2074
Chorrillos
Lima
Peru
jeanpierre.saux@peri.com.pe

PERI Product Range



Wall Formwork

Panel Formwork
Girder Formwork
Circular Formwork
Facade Formwork
Brace Frame



Climbing Systems

Climbing Scaffold
Self-Climbing System
Climbing Protection Panel
Platform Systems



Column Formwork

Square
Rectangular
Circular



Scaffold, Stairways, Working Platforms

Facade Scaffold
Working Platform
Weather Protection Roof
Stairway Access



Slab Formwork

Panel Formwork
Beam Grid Formwork
Girder Formwork
Slab Table
Beam Formwork



Bridge and Tunnel Formwork

Cantilevered Parapet Carriage
Cantilevered Parapet Platform
Engineer's Construction Kit



Shoring Systems

Steel Slab Props
Aluminium Slab Props
Tower Systems
Heavy-Duty Props



Services

Formwork Assembly
Cleaning / Repairs
Formwork Planning
Software
Statics
Special Constructions

Additional Systems
Plywood
Formwork Girders
Stopend Systems
Pallets
Transportation Containers



PERI GmbH Formwork Scaffolding Engineering

P.O. Box 1264
89259 Weissenhorn
Germany
Tel +49 (0)73 09.9 50-0
Fax +49 (0)73 09.9 51-0
info@peri.de
www.peri.de